



TURLO S.r.l.
Via Monte Rosa 5
13019 VARALLO SESIA (VC) ITALY
Tel (0039) 0163 54446
Fax (0039) 0163 54226
Email: mail@turlo.it website: www.turlo.it

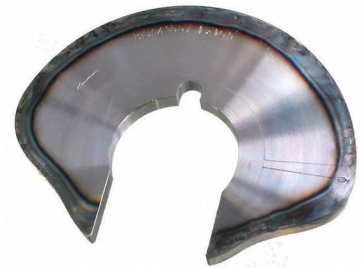
SPARE PARTS AND ATTACHMENT FOR MULTISPINDLE MACHINES

TORNOS BS20 TORNOS BS20B

Edizione catalogo / Catalogue issue: 04/2018

This catalog does not show Tornos original parts and accessories,
but all the part and accessories in this catalog are made by Turlo Srl

CAMS AND GEARS

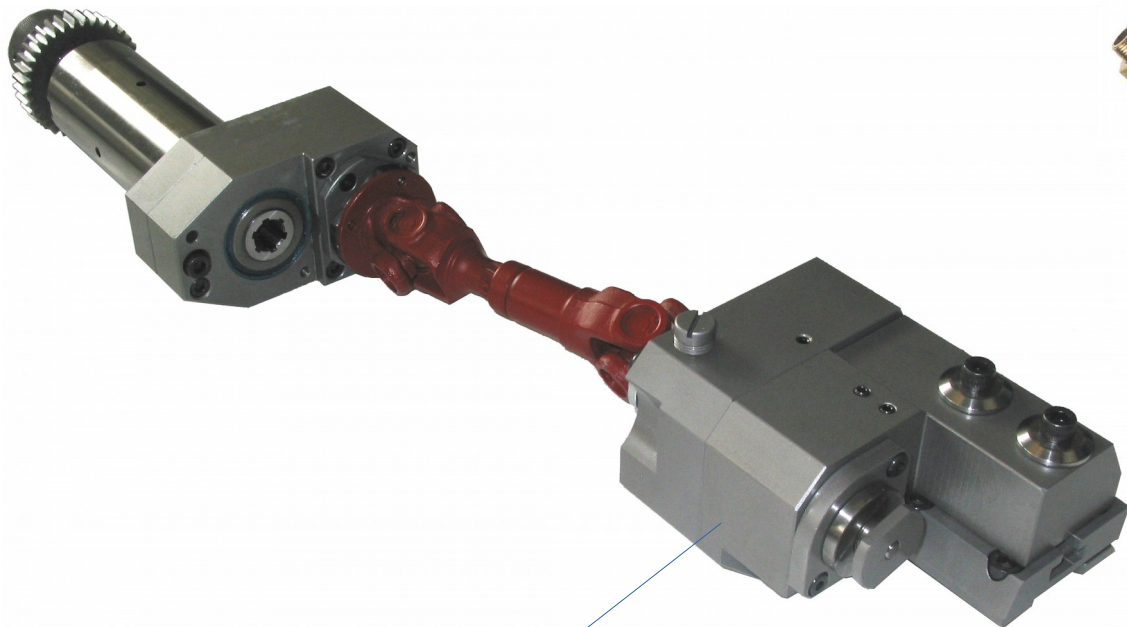


STANDARD CAMS
CAM STANDARD



IV/R3
Speed gears - Pignon de vitesse

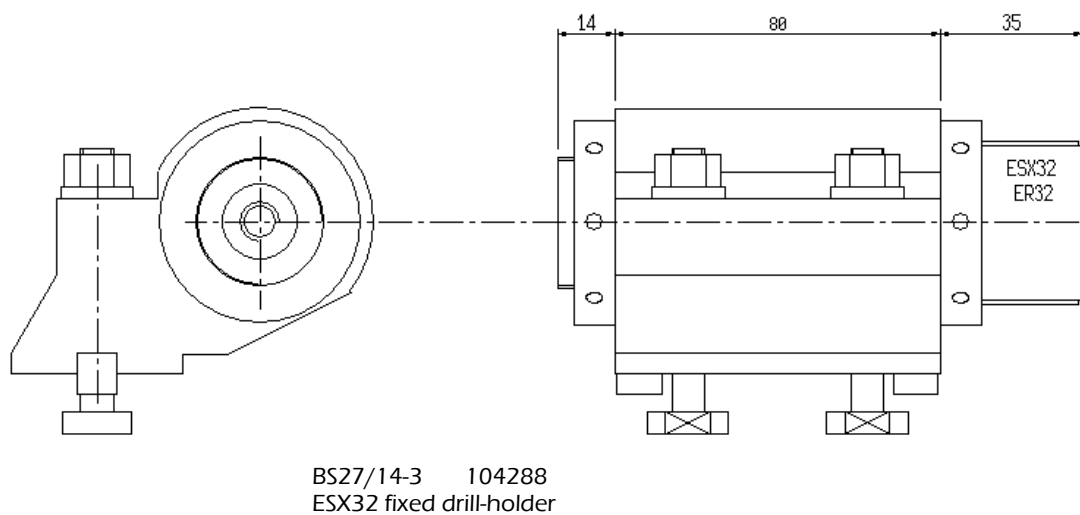
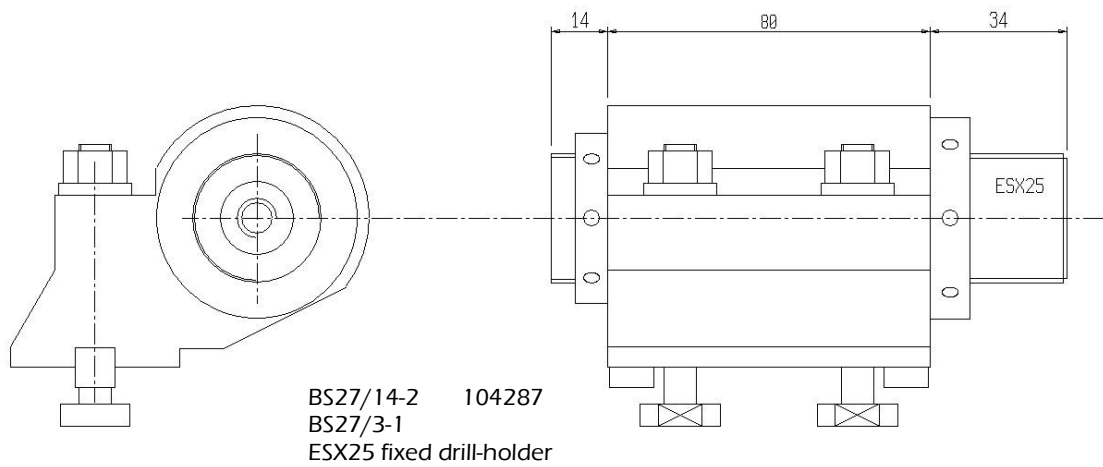
POLYGON-GENERATING AND THREAD-MILLING ATTACHMENT
APPARECCHIO POLIGONATORE E FRESAFIETTI
MEHRKANTDREH UND GEWINDEFRASEINRICHTUNG
APPAREIL A POLYAGONER ET FRESAIR LES FILETS
POLIGONADOR Y FRESADOR DE ROSCAS
GERADOR DE POLÍGONOS E FRESADOR DE ROSCAS



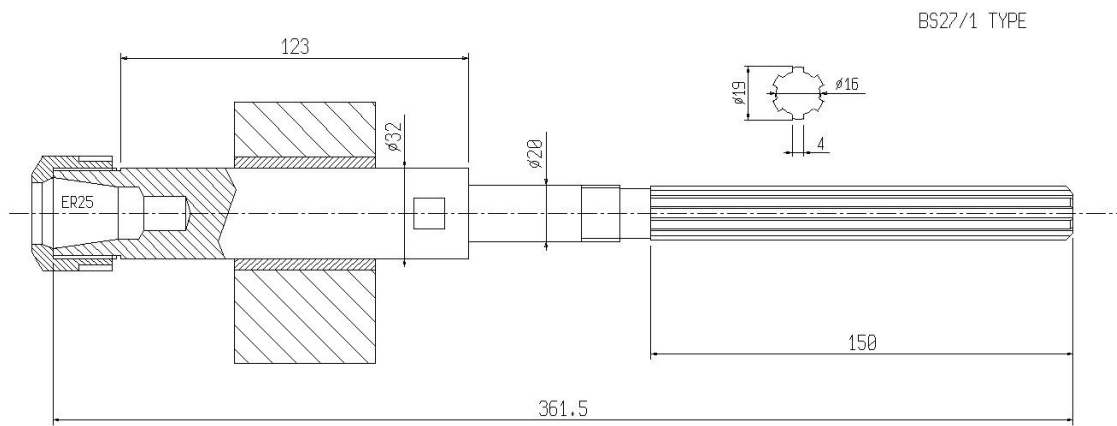
Tool-head
good for cross slide pos. 1-2-5-6

This attachment is designed to mill flats (polygons) with a ratio speed of 1:2, or threads with a ratio speed of 1:1, on the external side of the component. You can change the ratio speed by replacing a couple of gears inside the Driving Gear-Box. WE can supply both kind of tool-heads, the one for pos. 1-2-5-6 (as in the picture), but also the one for pos. 3-4-7

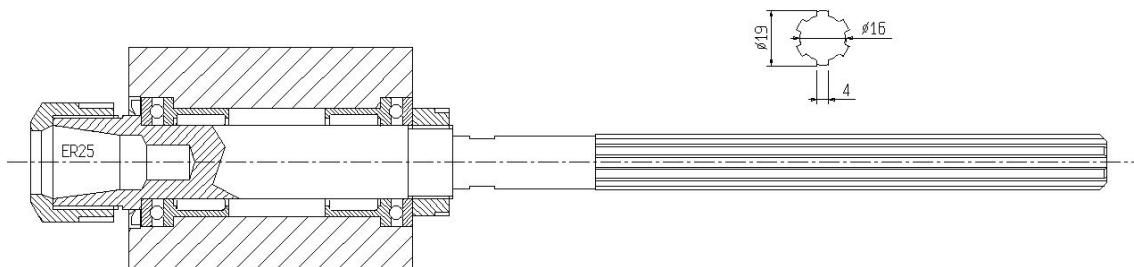
DRILL-HOLDERS



DRILL-HOLDERS

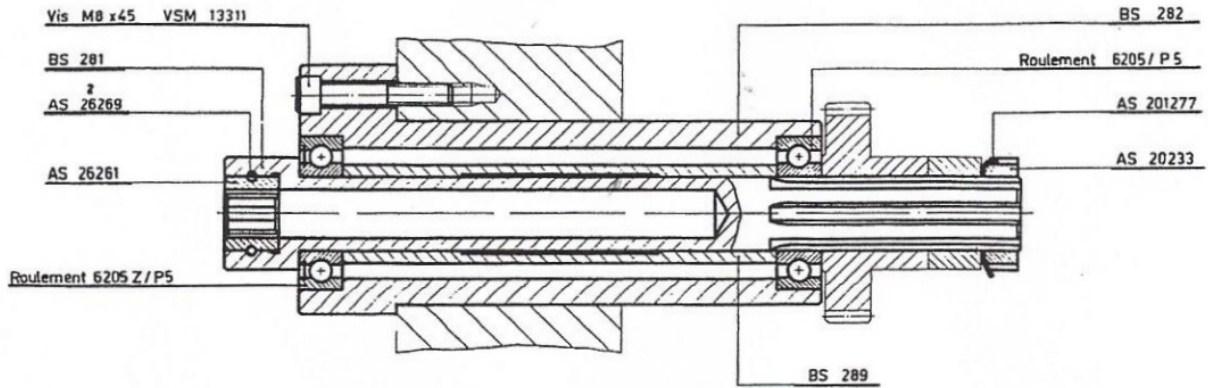


BS27/1
ESX25 Independent rotating drill-holder

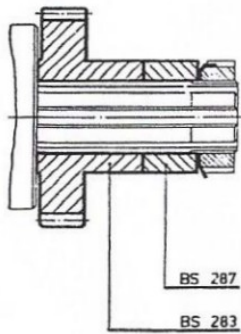


BS27/2
ESX25 Fixed rotating drill-holder

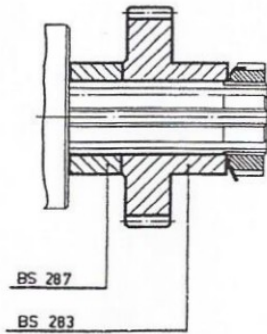
DRIVING QUILLE



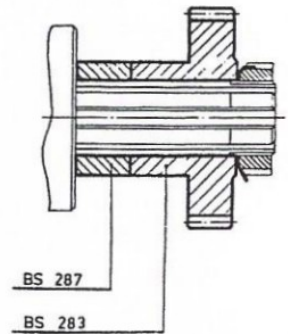
BS-28/8 A



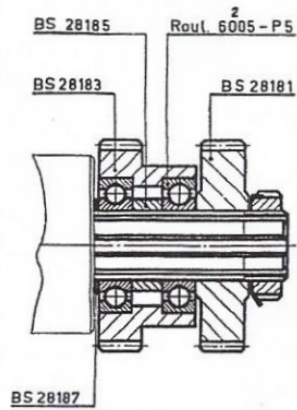
BS-28/8 B



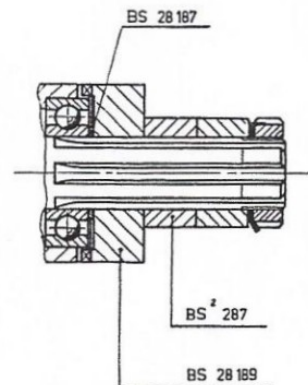
BS-28/8 C



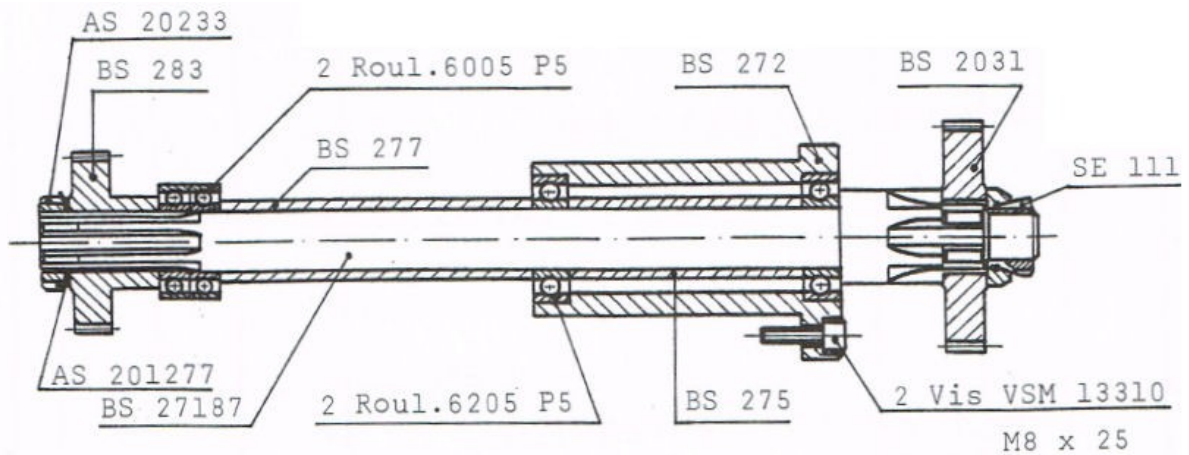
BS-28/8 D



BS-28/8 F



BS27/4 DRILLING SHAFT ARBRE DE PERCAGE ALBERO DI FORATURA



Perçage rapide Schnelles Bohren Fast drilling		
P2	P3	Rapport
26	79	1,25
30	75	1,30
38	67	1,40
42	63	1,50
53	52	1,75
60	45	2,00
65	40	2,20

Perçage lent Langsames Bohren Slow drilling		
P1	P3	Rapport
26	79	0,84
30	75	0,80
38	67	0,72
42	63	0,67
53	52	0,50
60	45	0,33
65	40	0,22

REPLACEMENT PARTS



R3/003
Chuck lever
Chiens
(BS12375-045397)



R3/001B
Toggle sleeve
Bobino de serrage
(BS12315 - 045394)

R3/041R
Roller $\varnothing 19/\varnothing 28,5/15$
(BS16281 - 045468)



R3/041P
Pin (049175?)

R3/040R
Roller $\varnothing 18/\varnothing 27,5/14,5$



R3/001
Toggle sleeve
Bobino de serrage
(BS12169-01)



R3/031R
Roller
 $\varnothing 15/\varnothing 30/12\text{mm}$



R3/031P
Pin
 $\varnothing 15/56\text{mm}$



R3/011C
Toggle holder
(996205)

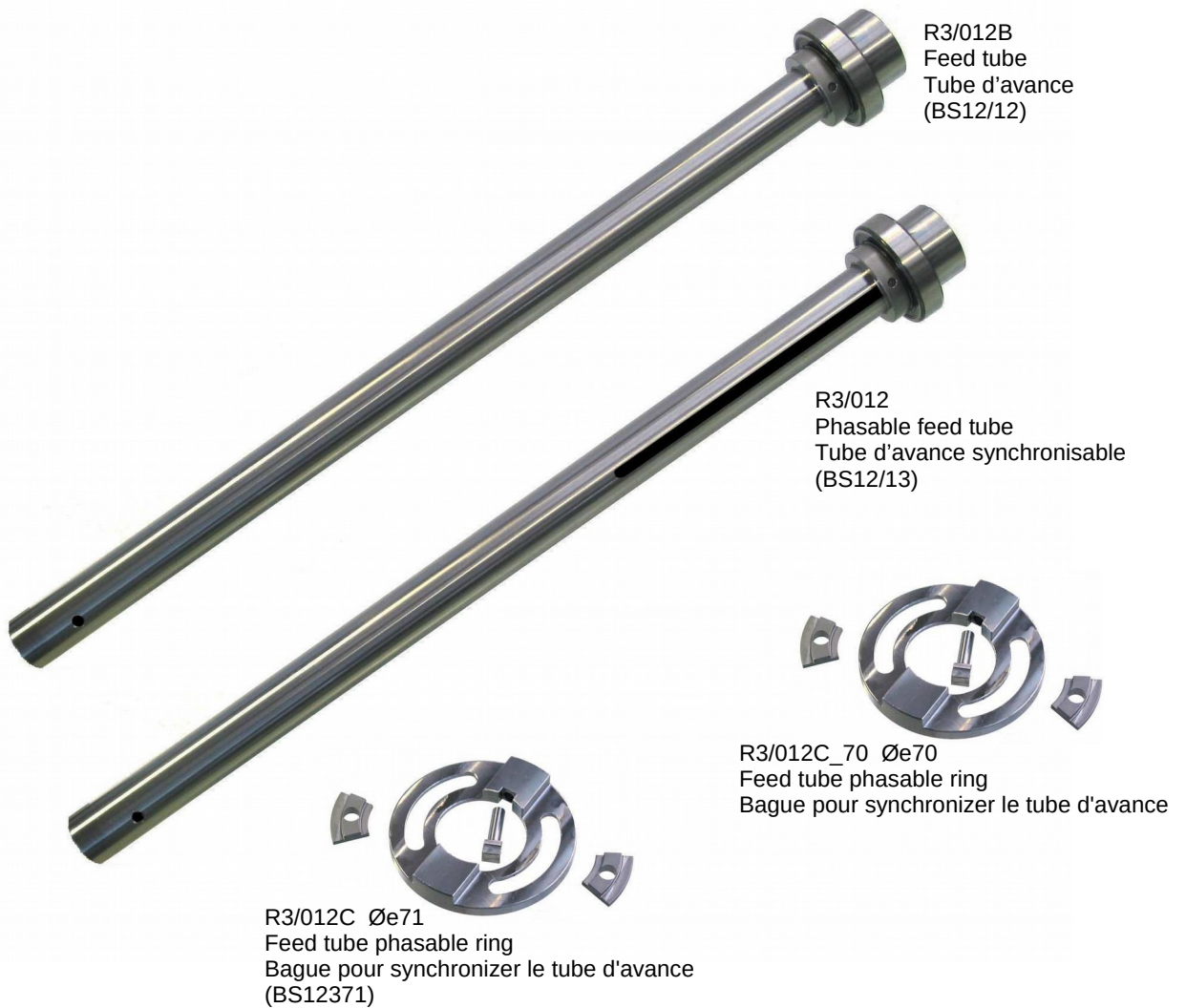


R3/053
Pulley shaft
Poulie arbre

R3/006
Pick-off chuck lever
Chien pour contrebroche
(066900)



R3K/005
Pick-off sleeve
Bobino pour contrebroche

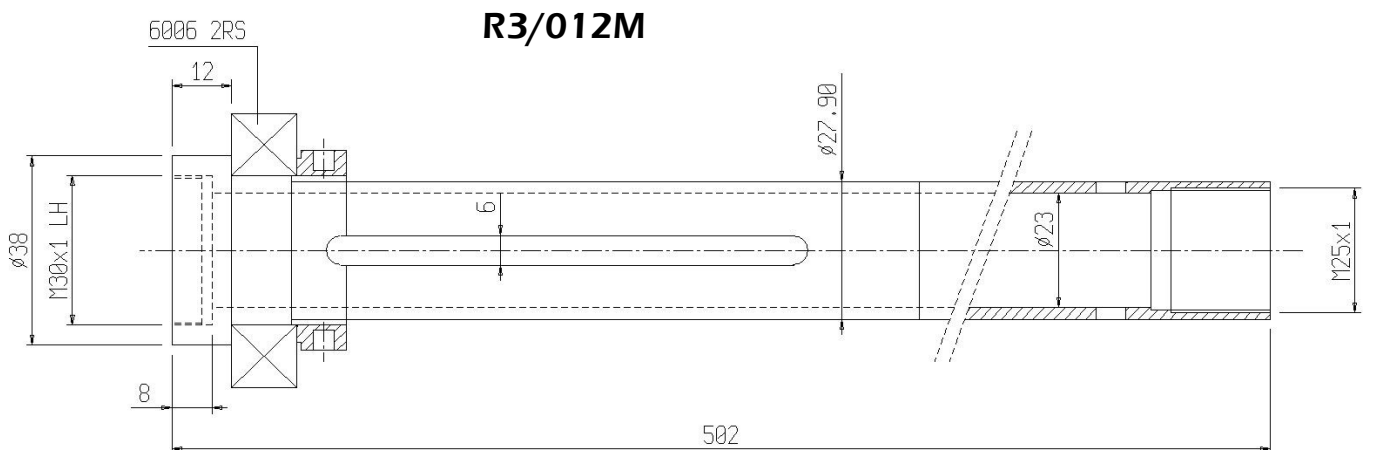
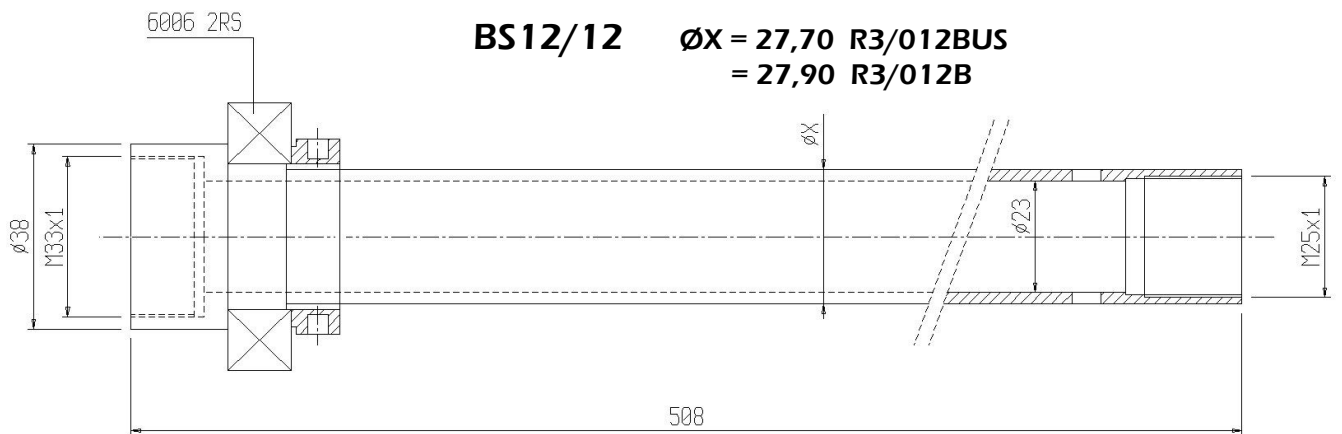
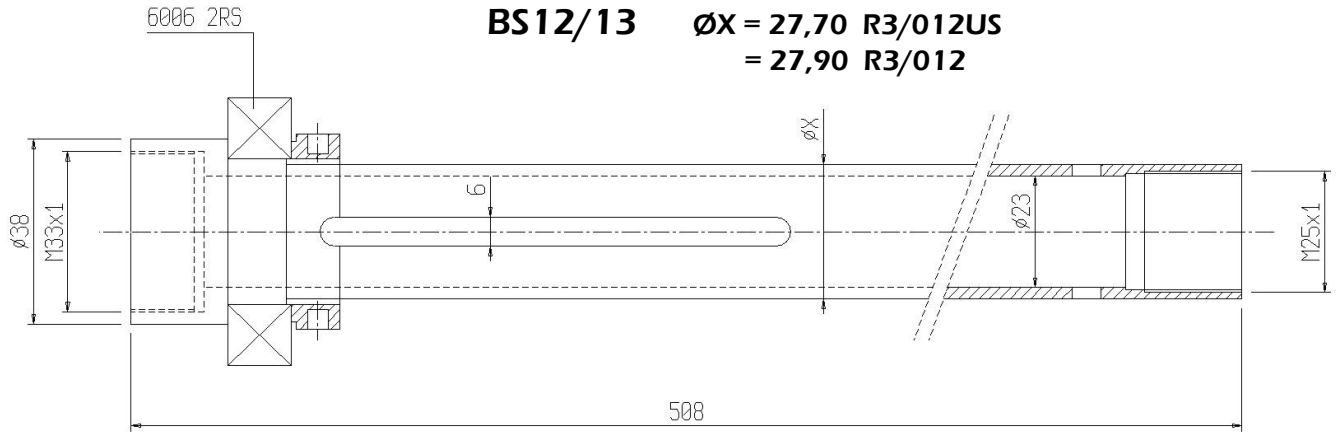


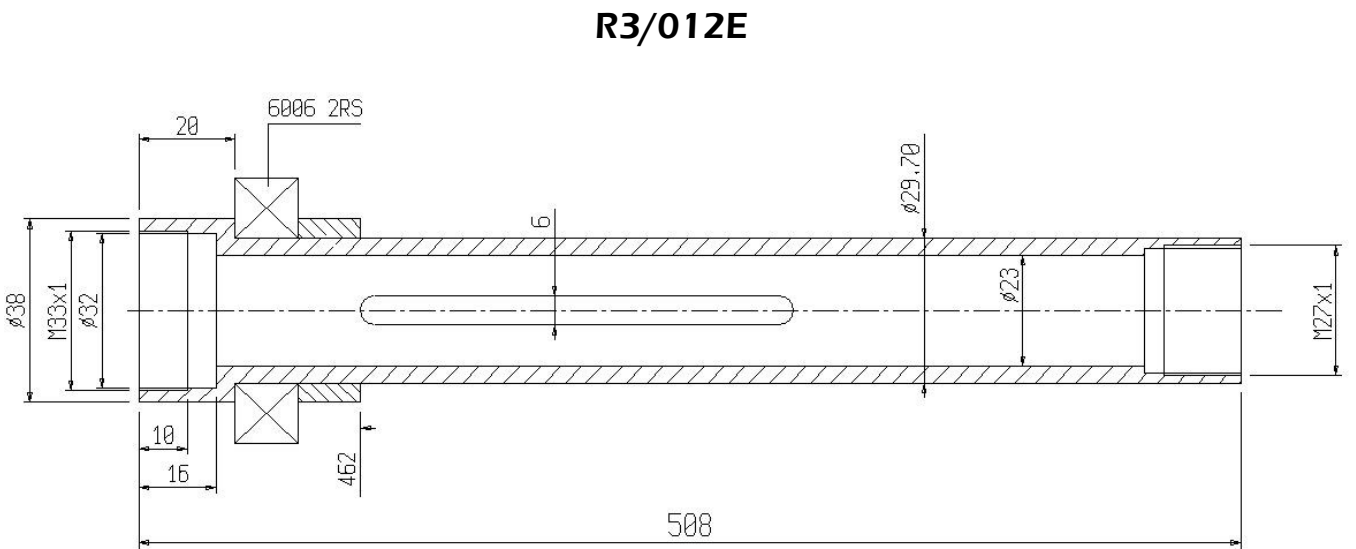
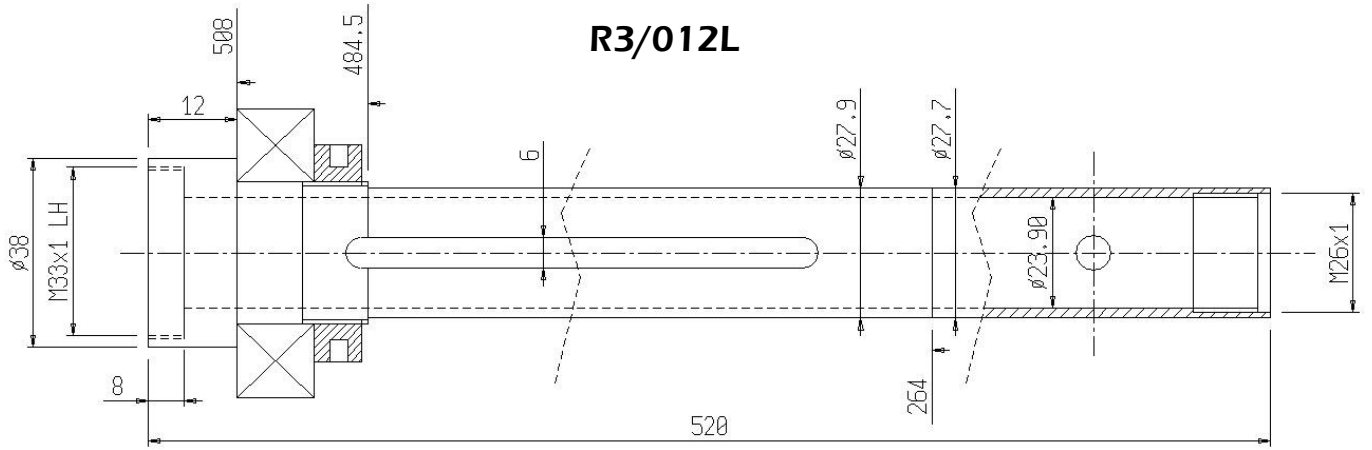
R3/012B
Feed tube
Tube d'avance
(BS12/12)

R3/012
Phasable feed tube
Tube d'avance synchronisable
(BS12/13)

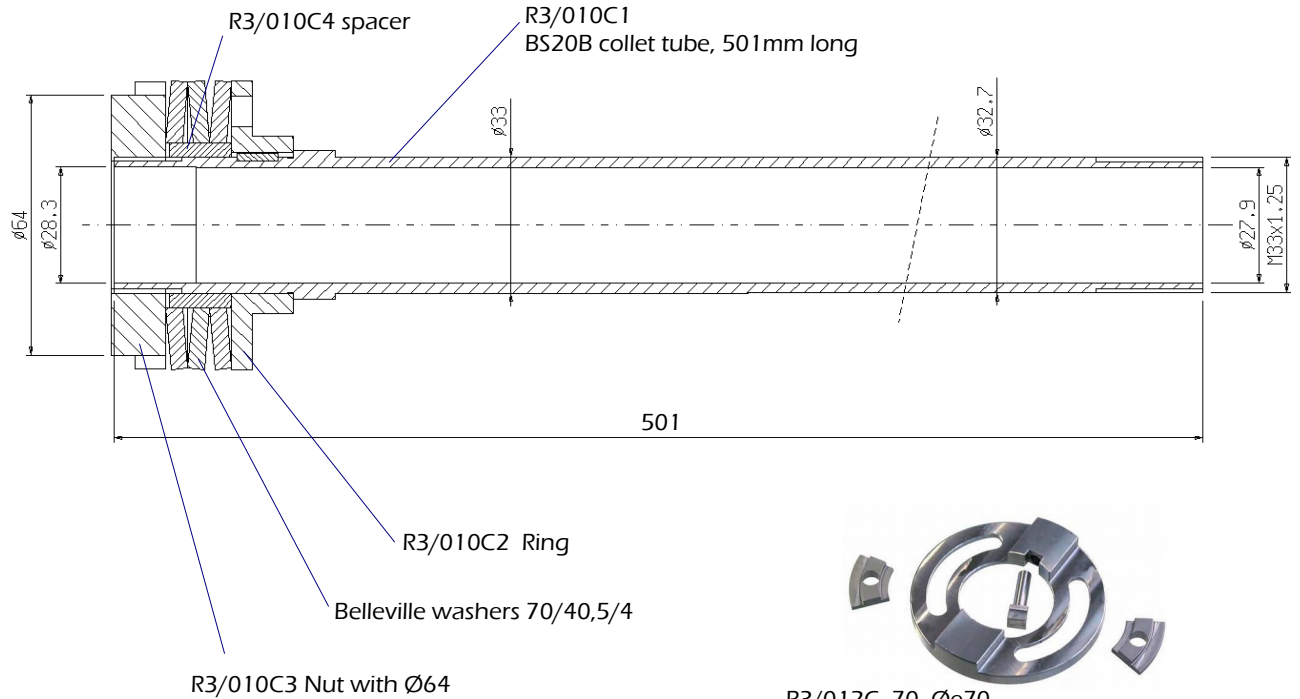
R3/012C_70 Øe70
Feed tube phasable ring
Bague pour synchronizer le tube d'avance

R3/012C Øe71
Feed tube phasable ring
Bague pour synchronizer le tube d'avance
(BS12371)



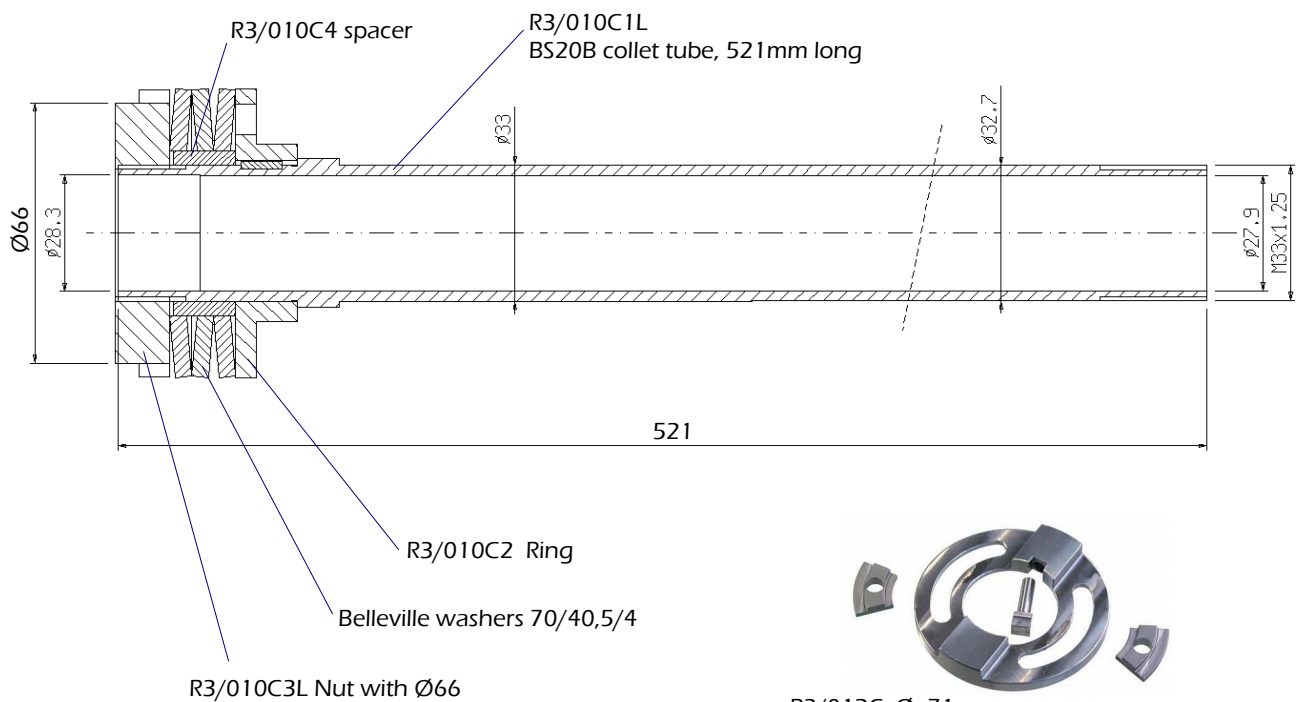


REPLACEMENT PARTS



R3/012C_70 $\phi e70$
 Feed tube phasable ring
 Bague pour synchronizer le tube d'avance

BS12/11 for BS20B



R3/012C $\phi e71$
 Feed tube phasable ring
 Bague pour synchronizer le tube d'avance

for BS20.8