

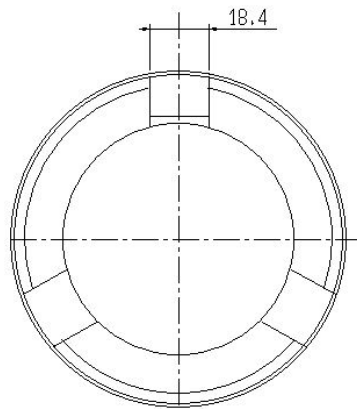
S18/001  
campana / sleeve  
C3210C-55Z



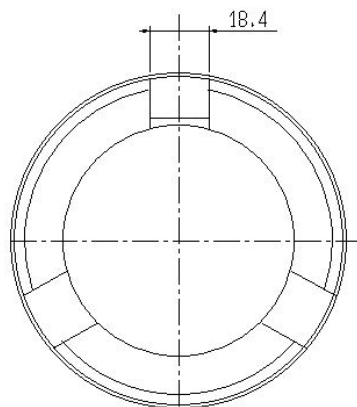
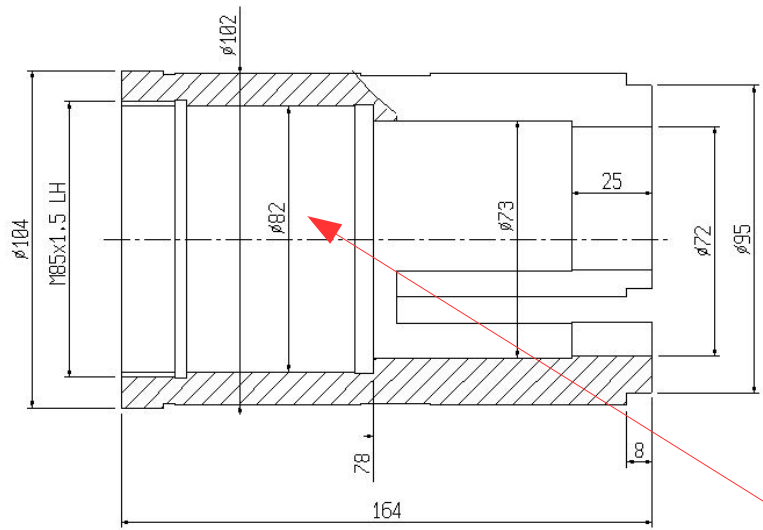
S8/003  
martelletto / toggle  
C3220B-45Z



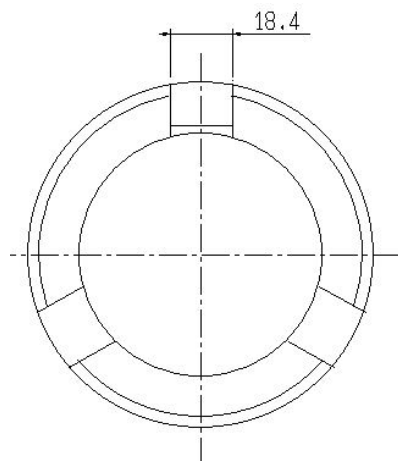
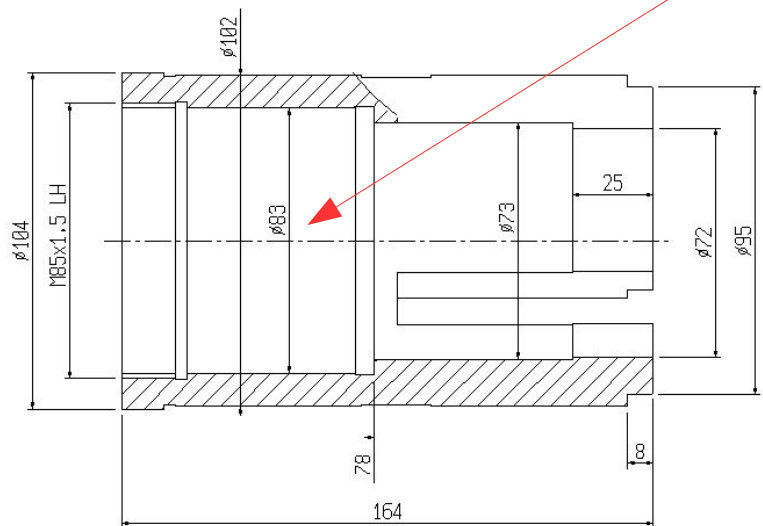
S13/004  
martelletto / toggle  
C3220A-44SZ



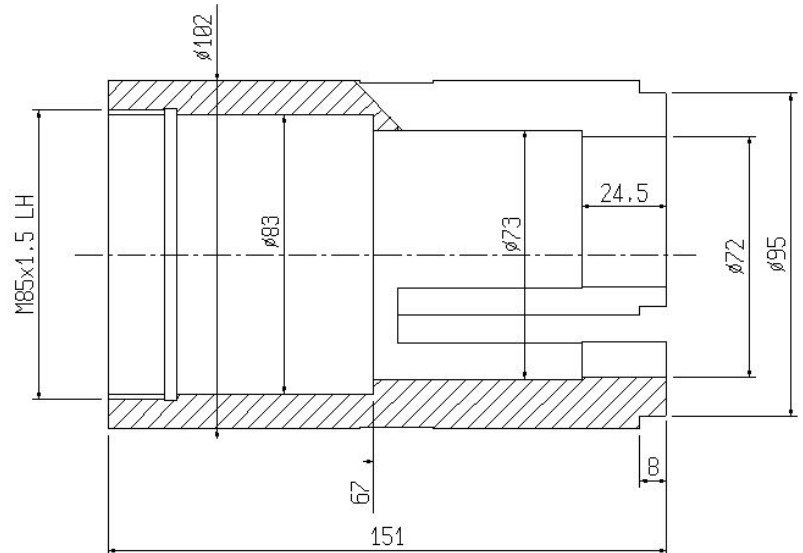
S18/019  
mozzo portacampana  
C3200-55Z  
SF51

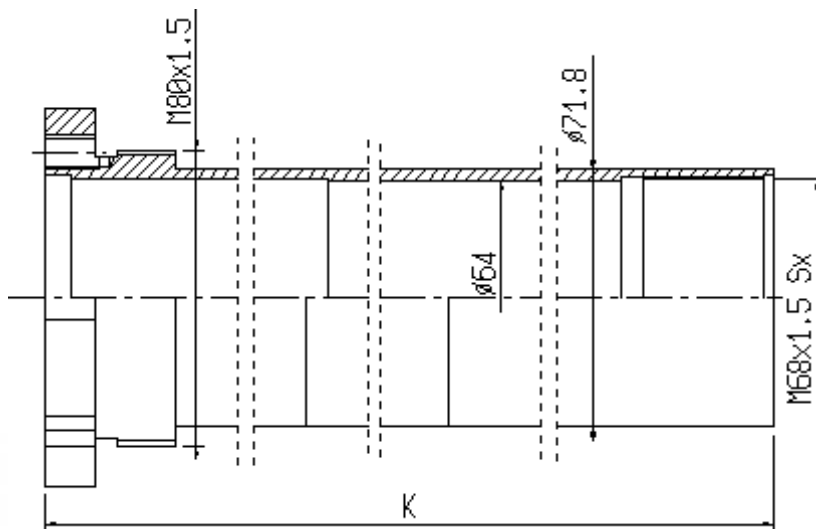


S18/019D83  
mozzo portacampana  
speciale D.83



S18/019C  
mozzo portacampana  
C3200A-55Z  
PC51





Tirante portapinza / Collet tube

S8/010B K = 614 mm C3070E-55Z

S8/010C K = 944 mm C3170B-55Z

S8/010D K = 1086 mm



Tirante contropinza / Feed tube

S8/012B K = 613 mm D3080A-55Z

S8/012C K = 613 mm C3080A-55Z

Mostrato nella foto / Shown in the picture  
S8/012B K = 613 mm D3080A-55Z