



S8/003
martelletto / toggle
C3220B-45Z



S8/001B
campana / sleeve
C3210C-44Z



S8/002
campana / sleeve
C3210-44SZ



S8/004
martelletto / toggle
C3220A-44SZ



S8/011B
anello / ring
D3260-44SZ



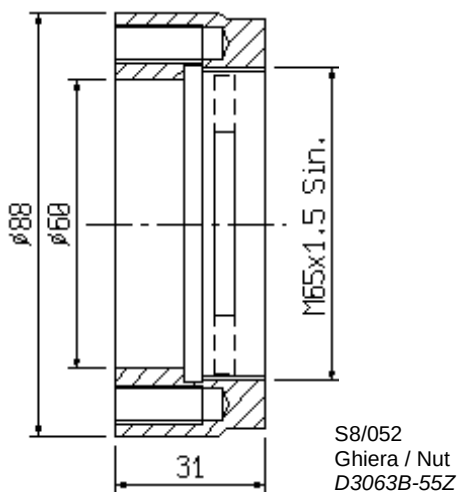
S8/011A
anello / ring
D3260A-44Z
D3260B-44Z



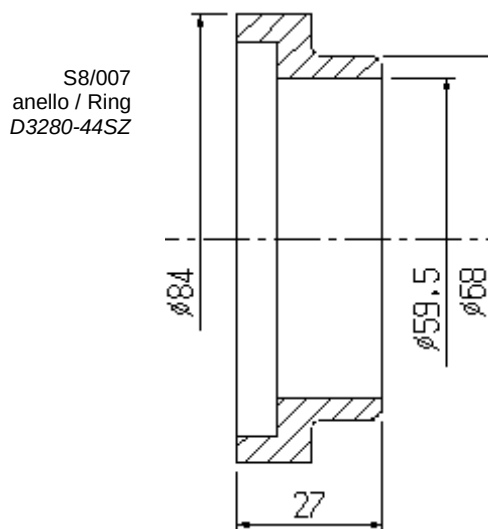
S8/008
Boccola portamolle /
bush
D3290-44SZ



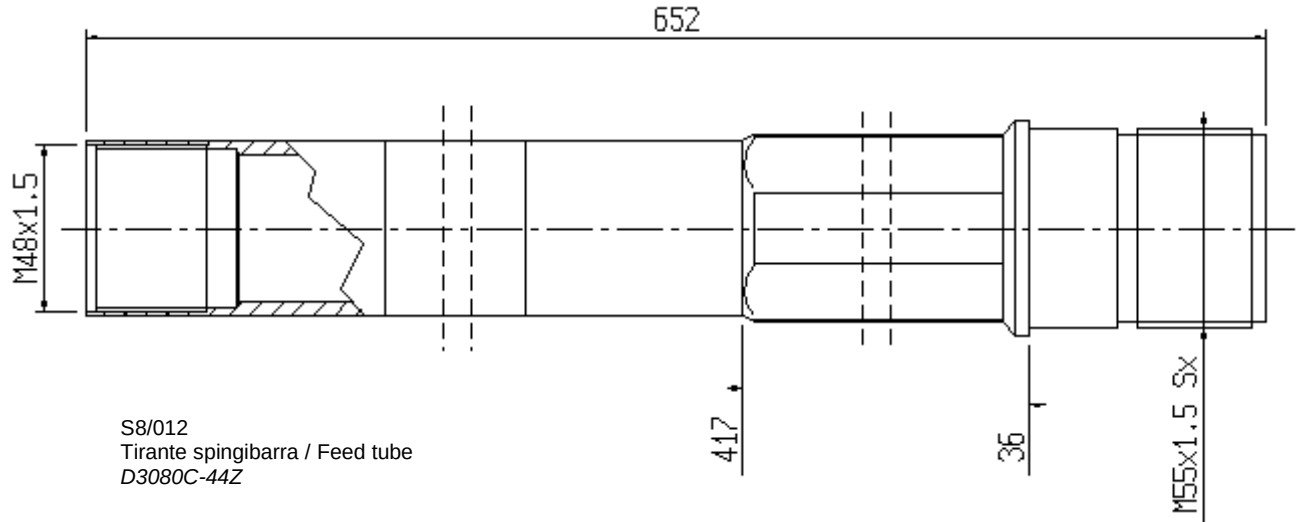
S8/009
Ghiera / Nut
D3254-44SZ



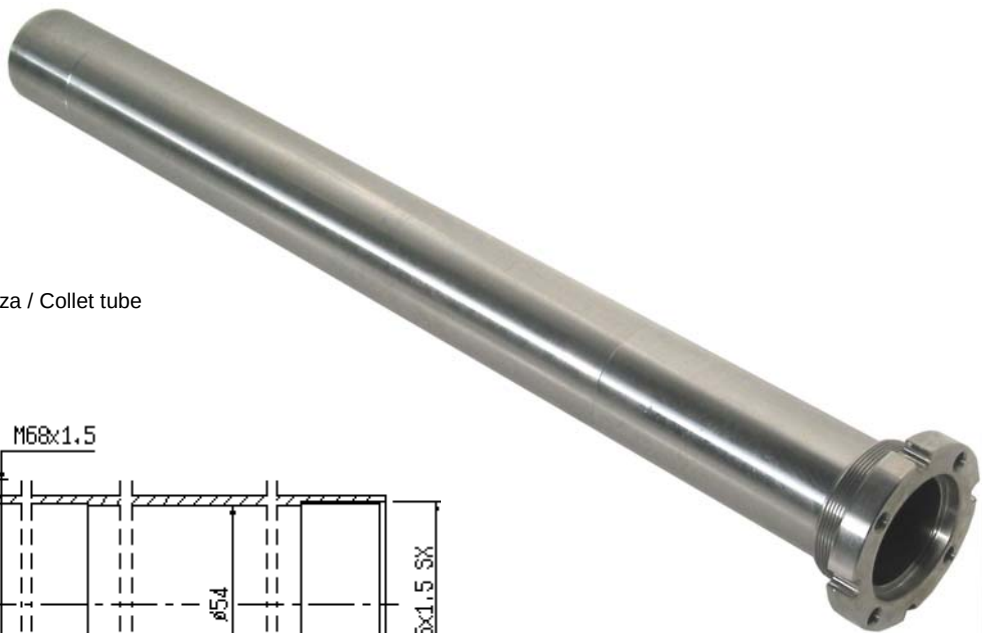
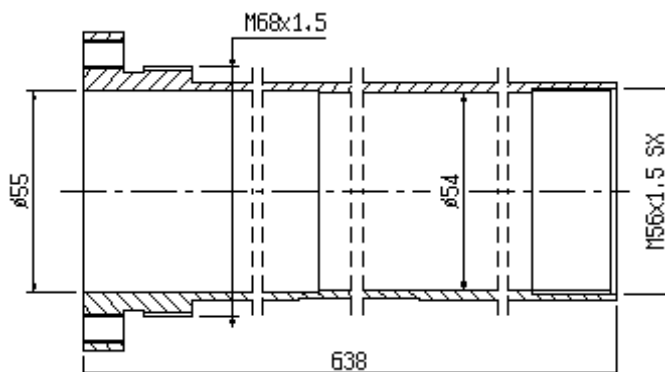
S8/052
Ghiera / Nut
D3063B-55Z

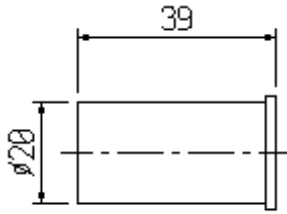


S8/007
anello / Ring
D3280-44SZ

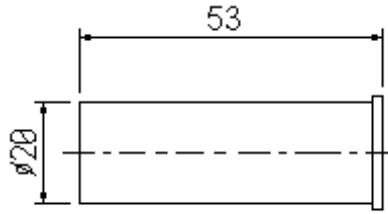


S8/010
Tirante portapinza / Collet tube
C3070C-44Z

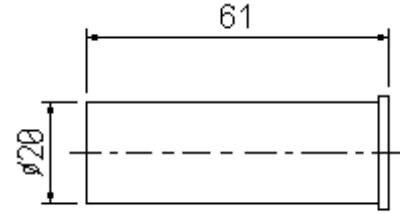




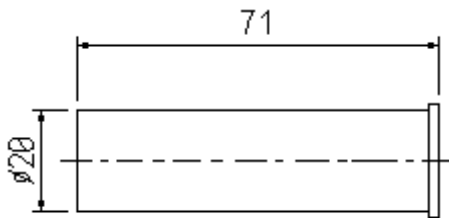
S5/036P Perno / Pin



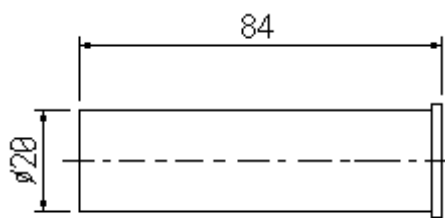
S8/033P Perno / Pin



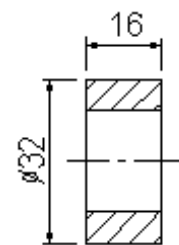
S8/031P Perno / Pin



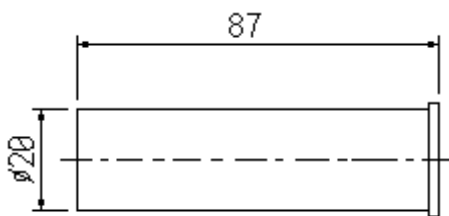
S8/035P Perno / Pin



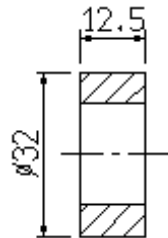
S8/030P Perno / Pin



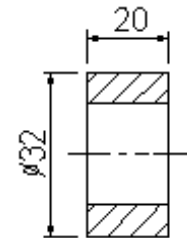
S8/031R Rullo / Roller



S8/034P Perno / Pin



S5/036R Rullo / Roller



S8/030R Rullo / Roller



S8/036
Vite per camme / Cam screw
C5820A-44M
2.81.15.68.1



S8/060B
Distanziale camme / Cam spacer
C5830A-44M

S8/060
Distanziale camme / Cam spacer
C5830A-67M
2.24.28.35.1





S8/020
cremagliera / linear gear
D61134M
D6110-34M



S8/021
cremagliera / linear gear
D60934S
D6090A-34S



S8/022
Settore dentato / sector gear
D549-44S
D5490A-44S



S8/023
Settore dentato / sector gear
D5490A-45S



S8/051
C26KD1S50



S8/050
D5760C-45SZ