



S13/003  
martelletto / toggle  
C3220C-23Z



S13/001  
campana / sleeve  
C3210D-33Z



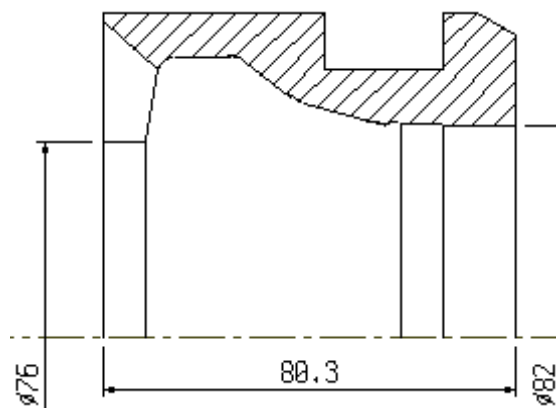
S14/002  
campana / sleeve  
C3210B-33Z



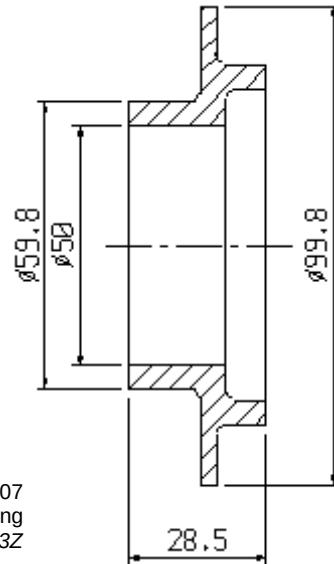
S13/004  
martelletto / toggle  
C3220A-23Z



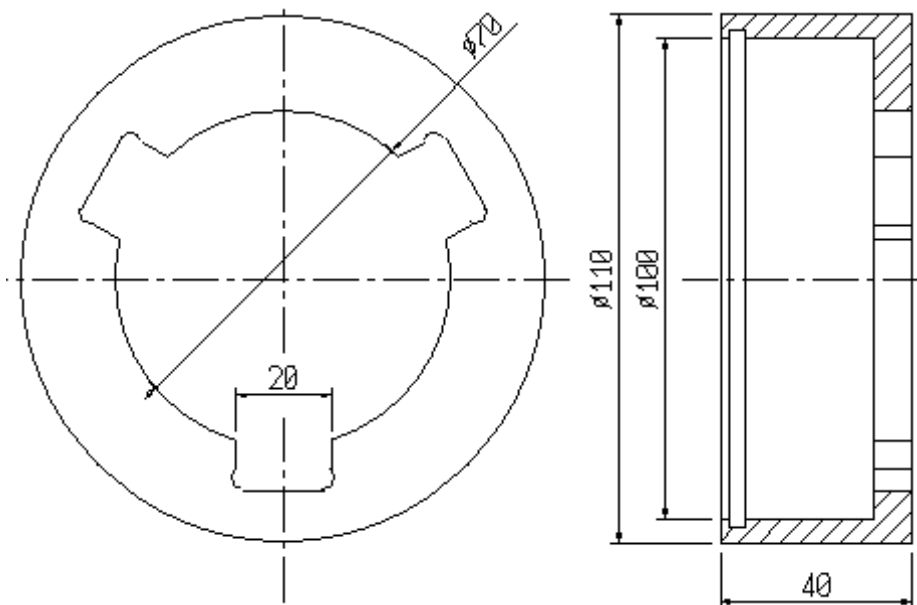
S13/005  
martelletto / toggle  
C3220B-23Z



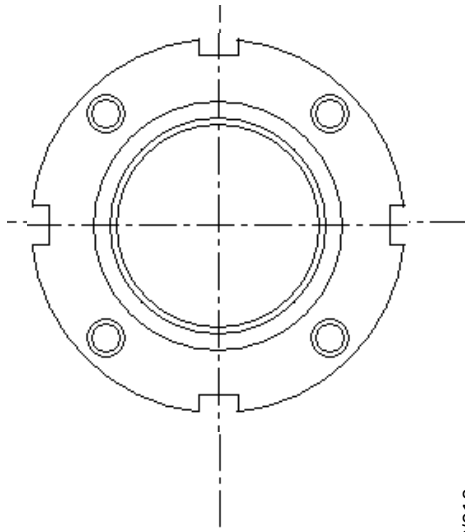
S14/001  
campana / sleeve  
C3210C-33Z



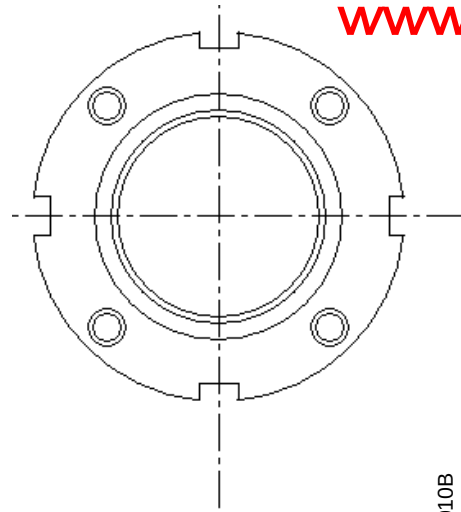
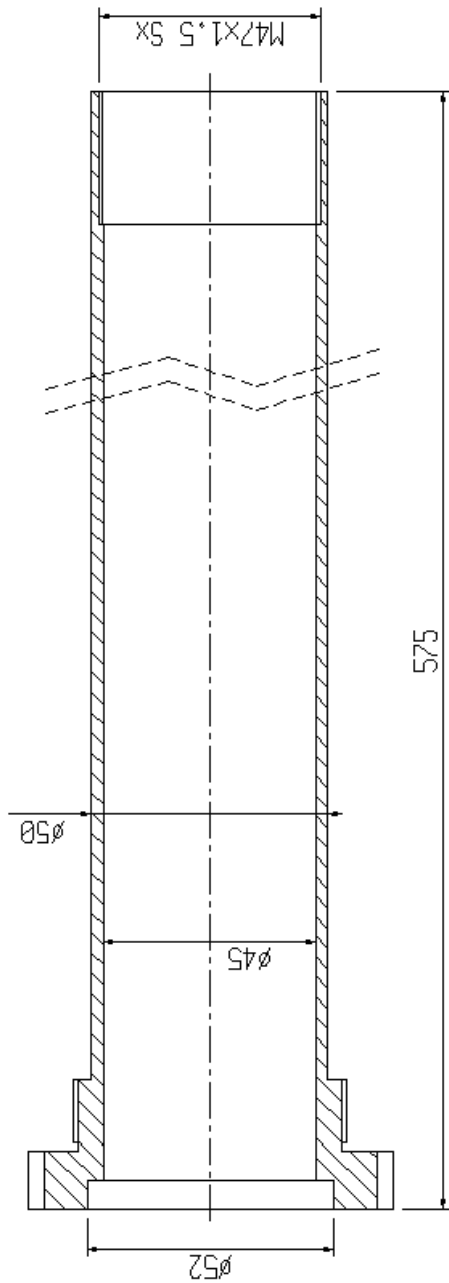
S13/007  
anello / ring  
D3280D-33Z



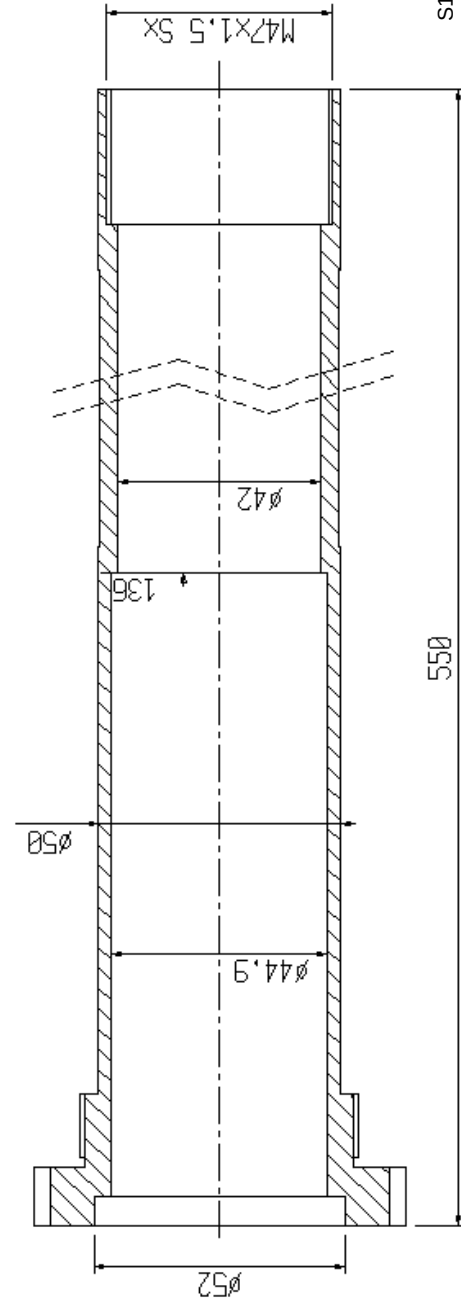
S14/011  
anello / ring  
C3260D-33Z

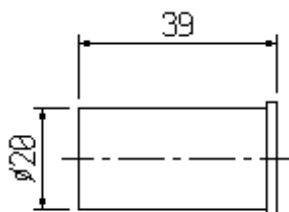


S13/010  
Tubo portapinza / collet tube  
C3070C-33Z

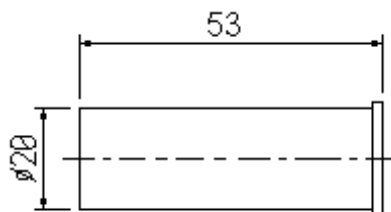


S13/010B  
Tubo portapinza / collet tube

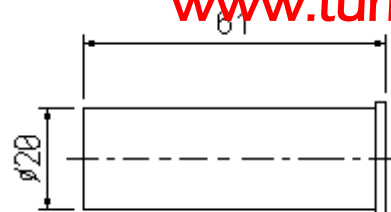




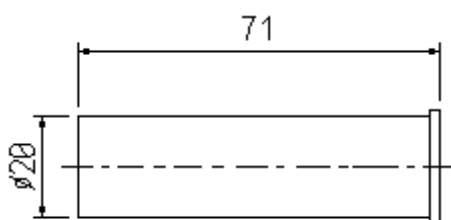
S5/036P Perno / Pin



S8/033P Perno / Pin



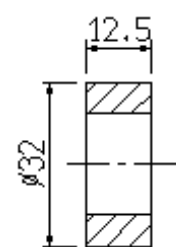
S8/031P Perno / Pin



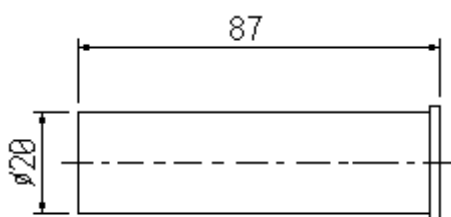
S8/035P Perno / Pin



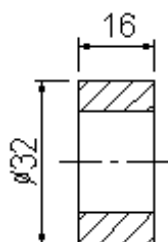
S8/030P Perno / Pin



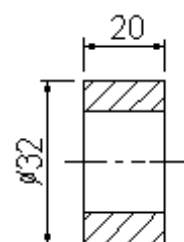
S5/036R Rullo / Roller



S8/034P Perno / Pin



S8/031R Rullo / Roller



S8/030R Rullo / Roller

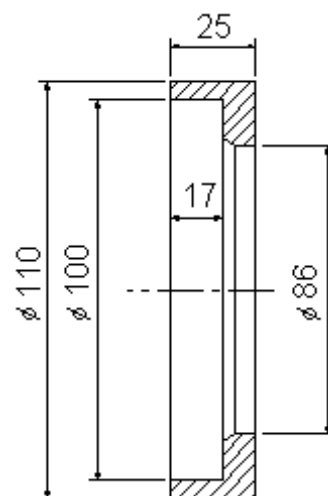


S8/036  
Vite per camme / Cam screw  
C5820A-44M  
2.81.15.68.1

S8/060  
Distanziale camme / Cam spacer  
C5830A-67M  
2.24.28.35.1



S8/060B  
Distanziale camme / Cam spacer  
C5830A-44M



S13/011  
anello / ring  
D3260B-33Z



S8/020  
cremagliera / linear gear  
D61134M  
D6110-34M



S8/021  
cremagliera / linear gear  
D60934S  
D6090A-34S



S8/022  
Settore dentato / sector gear  
D549-44S  
D5490A-44S



S8/023  
Settore dentato / sector gear  
D5490A-45S



S13/023  
Settore dentato / sector gear  
D5490A-33SZ