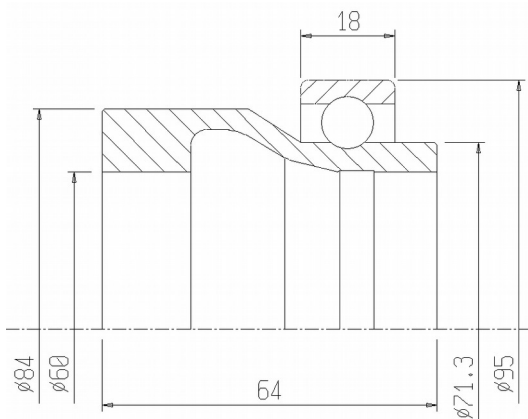
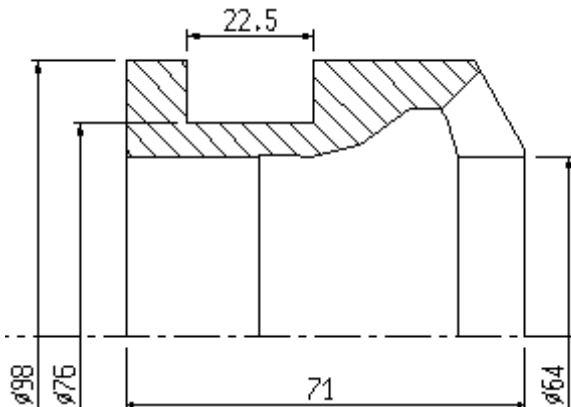


S12/001
Campana / toggle sleeve
C3210C-11SZ

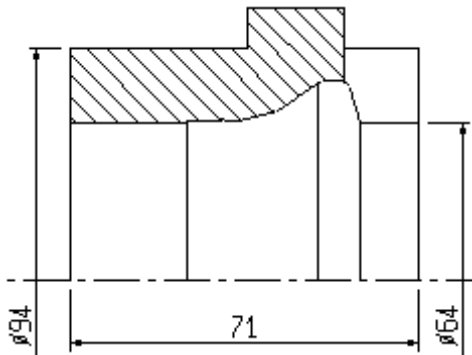
milled external ring



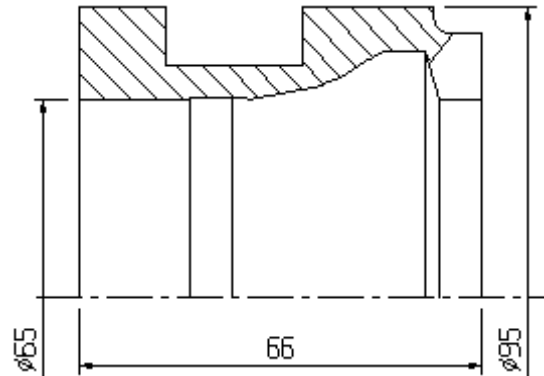
S12/001B
campana / toggle sleeve
C3210C-11SZ



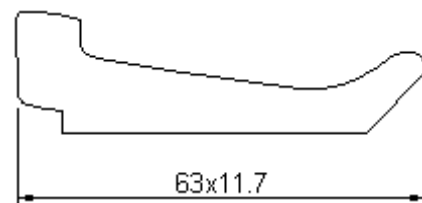
S9/001
campana / toggle sleeve
D3210D-11SL



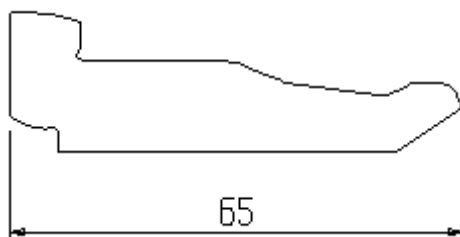
S12/002
Campana / toggle sleeve
D3210B-11SL-1



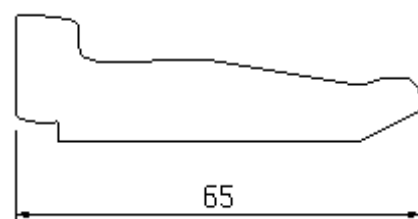
S9/001B
campana / toggle sleeve
D3210E-11SL



S12/003
martelletto / toggle (C3220B-11SZ)



S9/004
martelletto / toggle (C3220B-11SL)



S9/003
martelletto / toggle (C3220C-11SL)



SCHÜTTE SF20 SF26L

www.turlo.it



S12/010
Tubo portapinza / collet tube
L = 416mm

M30x1 Sin.



S12/012
Tubo avanzamento / feed tube
L = 442mm

M25x1



S12/022
settoie dentato / sector gear
D5490A-11S



S12/020
cremagliera / linear gear
D6090-11S



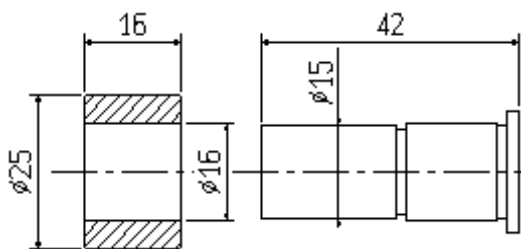
S12/023
settoie dentato / sector gear
D5495A-11S



S12/021
cremagliera / linear gear
D6110A-11S

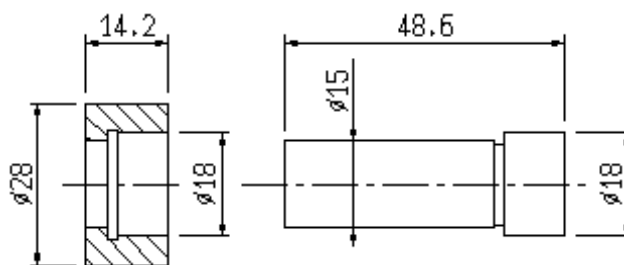


S12/070
cuffia / cap
D4170A-11SL



S12/032R
rullo / roller

S12/032P
perno / pin



S12/033R
rullo / roller

S12/033P
perno / pin

RICAMBI MANDRINO DA RIPRESA ORIGINALE
PICK-UP ATTACHMENT SPARE PARTS



S12/101
campana / sleeve



S12/111
Mozzo porta martelletti
Toggle-holder



S12/103
martelletto / toggle