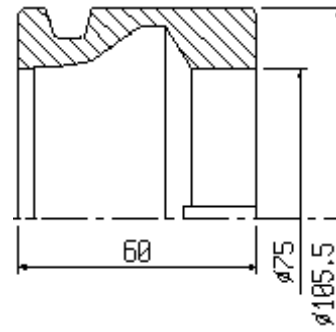
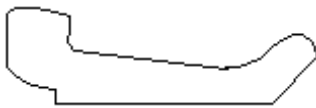


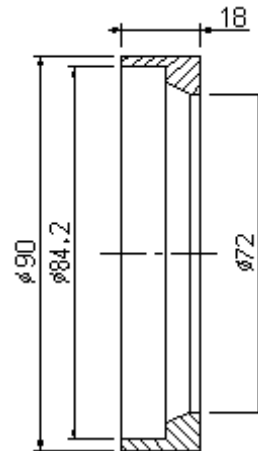
S3/001
campana / sleeve
SE25d376



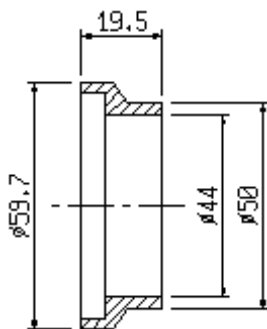
S3/002
campana / sleeve
SE25d376b



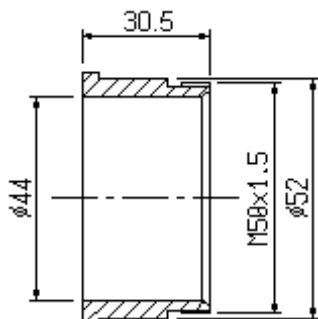
S3/003
martelletto / toggle
SE25d390a



S3/011
anello / ring
375



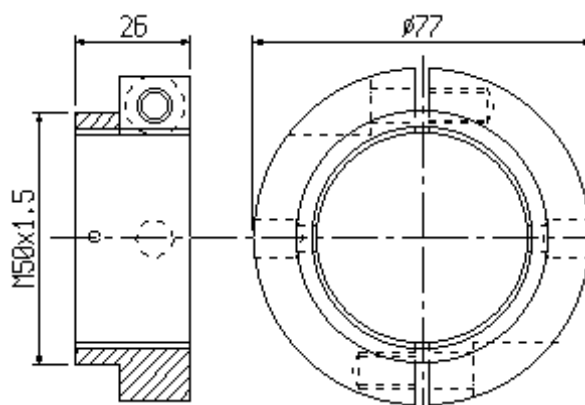
S3/007
anello / ring
383



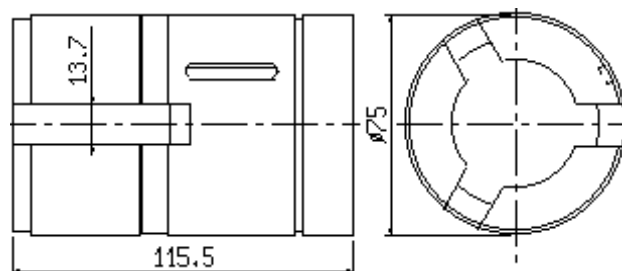
S3/008
Boccola portamolle
Belleville washer ring
334



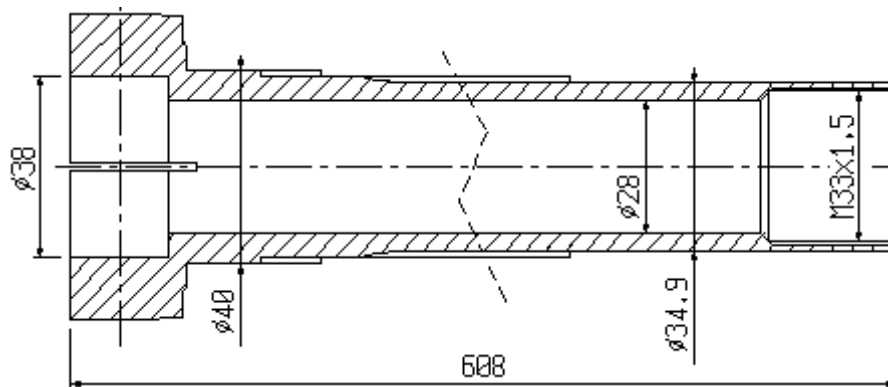
S3/090
Molle a tazza / Belleville washer
335



S3/009
Ghiera registraz. Molle / Nut
SE25d337a

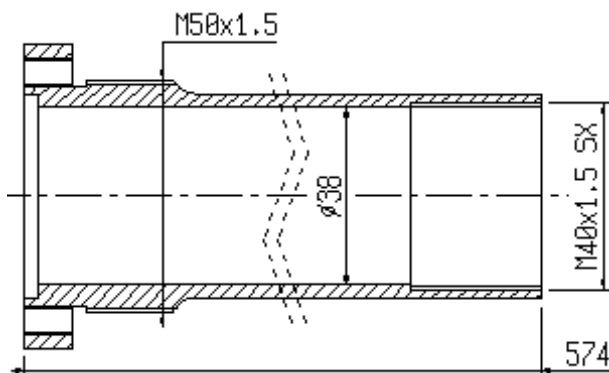
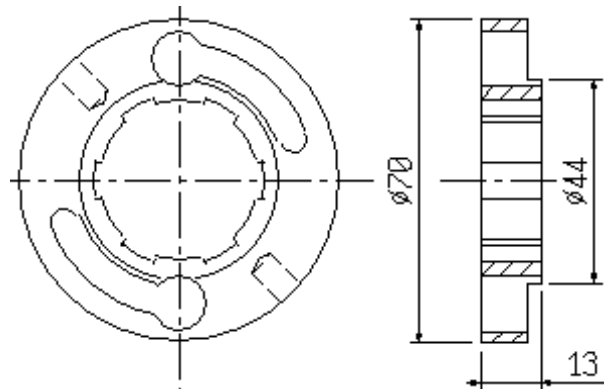


S3/019
Portacampana
sleeve-holder
SE25d346b

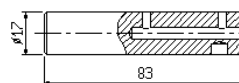


S3/012
tubo avanzamento / feed tube
342

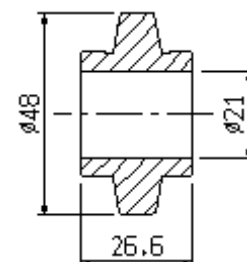
S3/013
Bronzina scanalata
Bronze bush
382



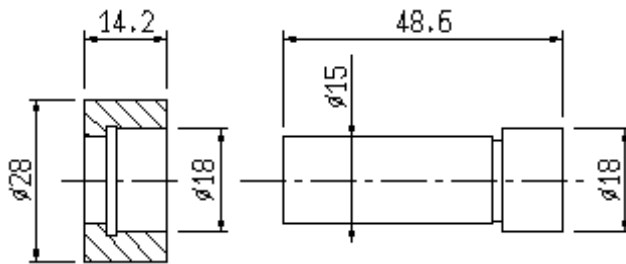
S3/010
tubo portapinza / collet tube
341



S3/041
perno / pin

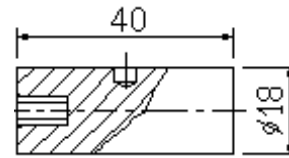


S3/040R
rullo / roller

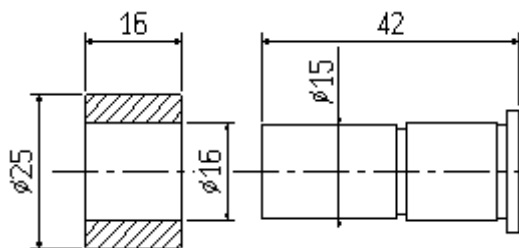


S12/033R
rullo / roller
90

S12/033P
perno / pin
186

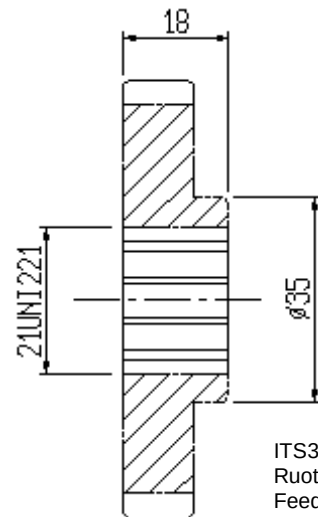


S3/031
perno / pin

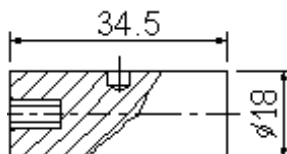


S12/032R
rullo / roller

S12/032P
perno / pin



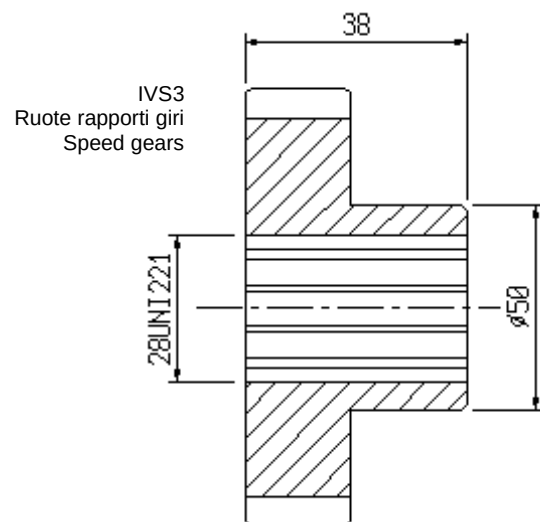
ITS3
Ruote rapporti tempi
Feed gears



S3/030
perno / pin
SE25d537



S2/554
Settore denatato /Toothed sector



IVS3
Ruote rapporti giri
Speed gears