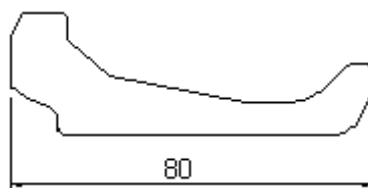
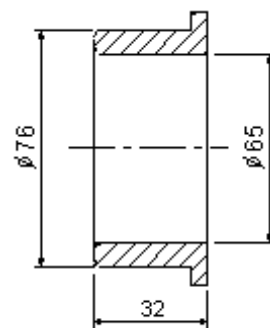


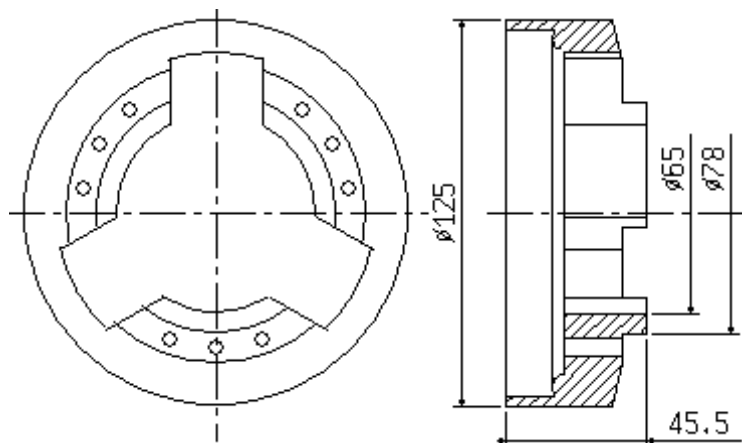
G4/001  
campana / sleeve  
343-10-211/2



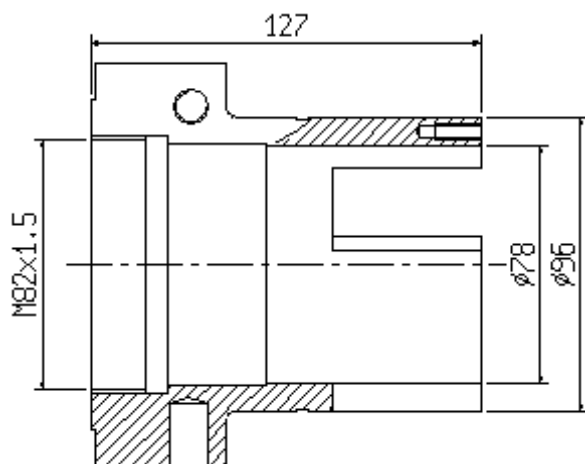
G4/003  
martelletto / toggle  
343-10-213/002



G4/007  
boccola / ring  
343-10-212/2

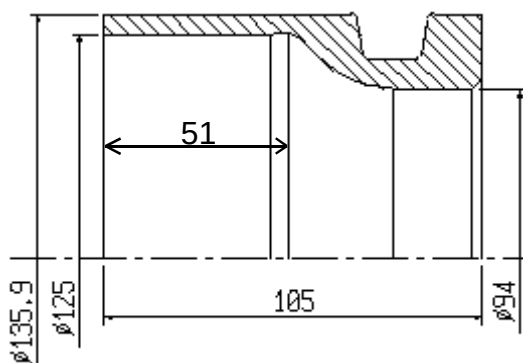


G4/011A  
mozzo / ring  
343-10-2140

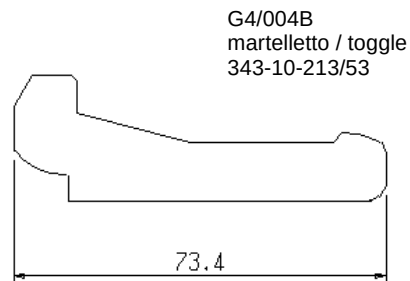


G4/019A  
manicotto / sleeve

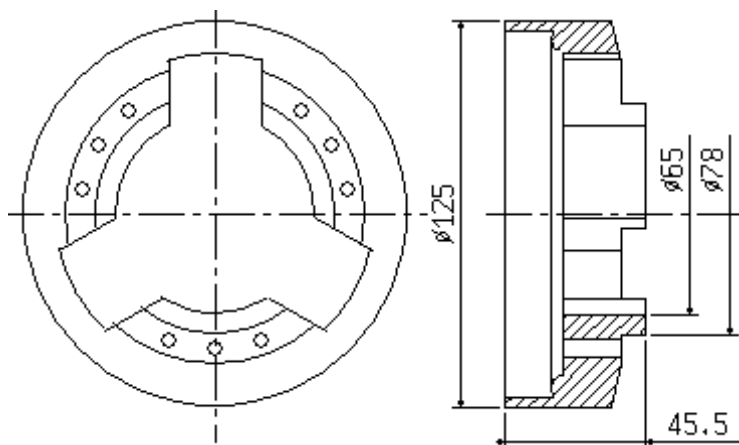




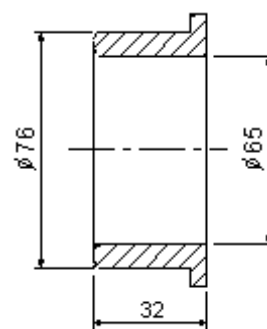
G4/002  
campana / sleeve  
343-10-211/53



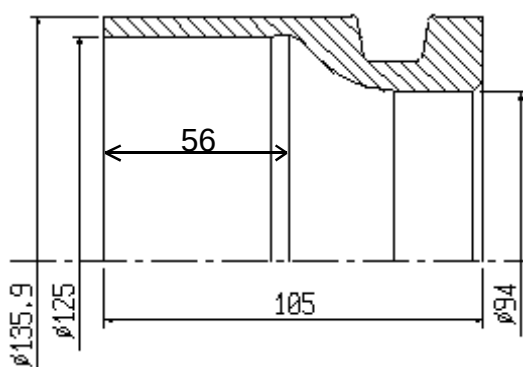
G4/004B  
martelletto / toggle  
343-10-213/53



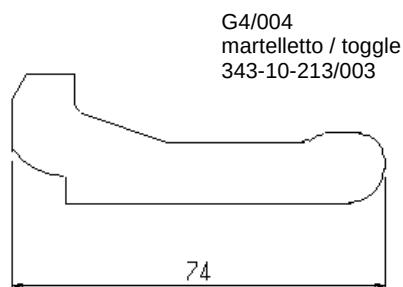
G4/011A  
mozzo / ring  
343-10-2140



G4/007  
boccola / ring  
343-10-212/2



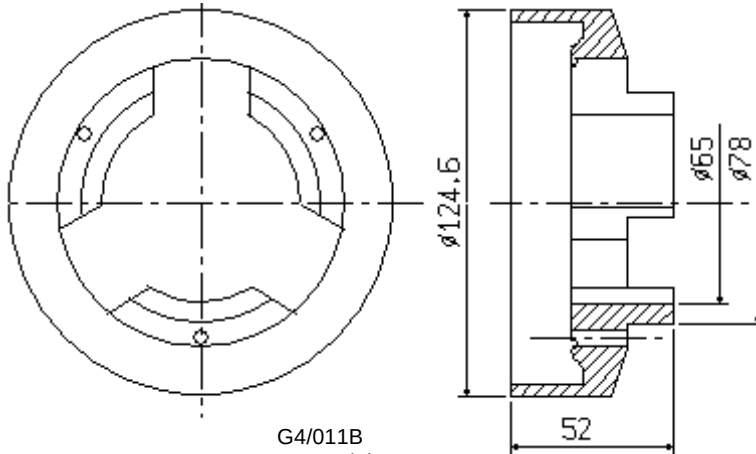
G4/002B  
campana / sleeve  
343-10-211/003



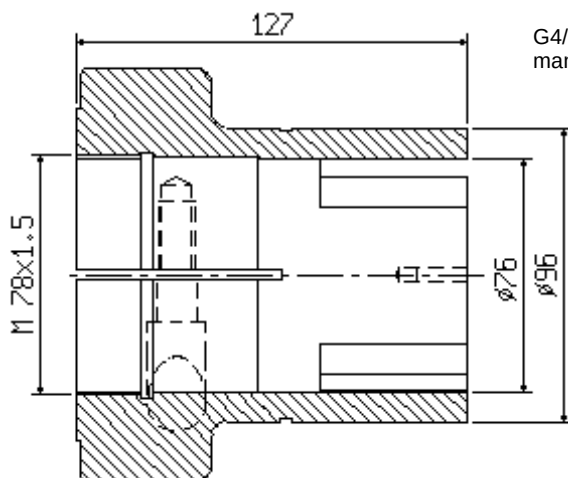
G4/004  
martelletto / toggle  
343-10-213/003



G4/005  
martelletto / toggle  
343-10-213/001



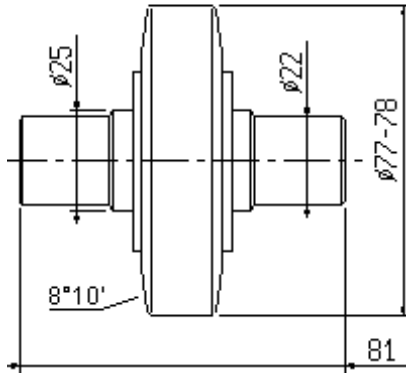
G4/011B  
mozzo / ring



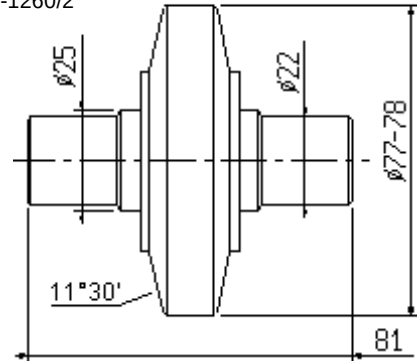
G4/019B  
manicotto / sleeve



G4/040A  
rullo / roller



G4/040B  
rullo / roller  
343-09-1260/2



G4/013  
ghiera / nut  
343-10-220/2

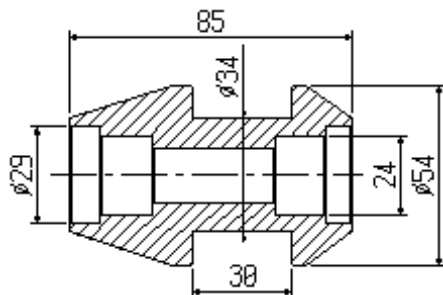
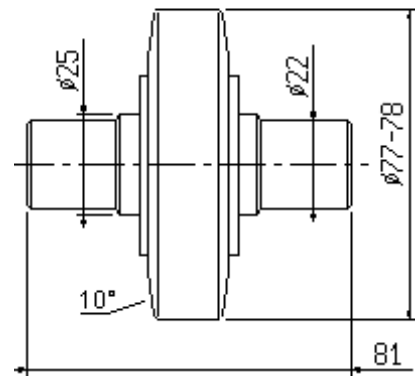


G3/014  
ghiera / nut  
343-10-222/2

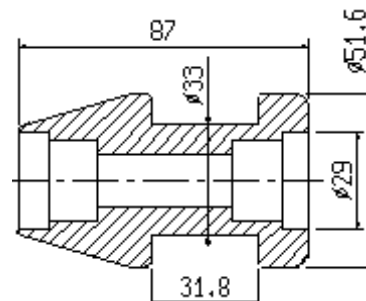


G4/090  
Molla a tazza / spring  
343-10-216

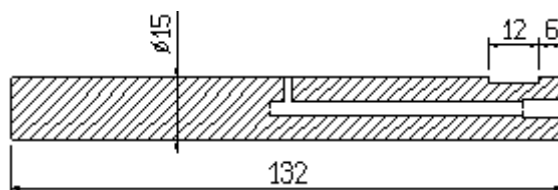
G4/040C  
rullo / roller



G4/050  
rullo / roller



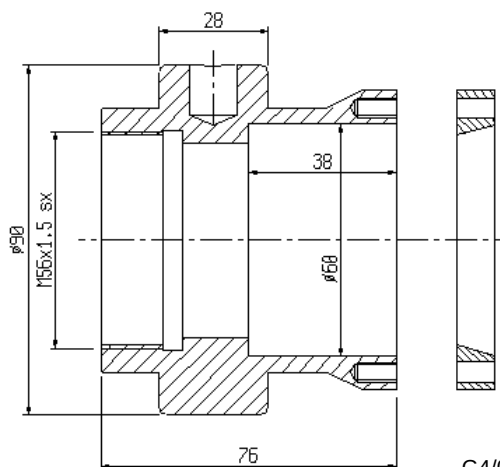
G3/050  
rRullo / roller  
343-09-1370



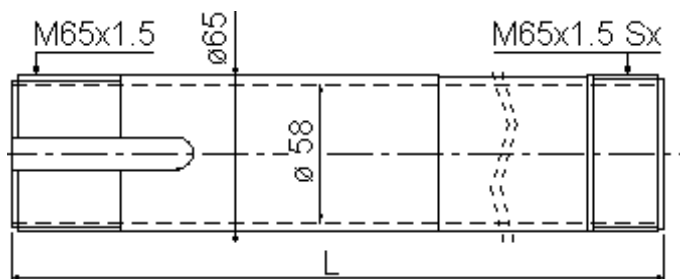
G3/052  
perno / pin



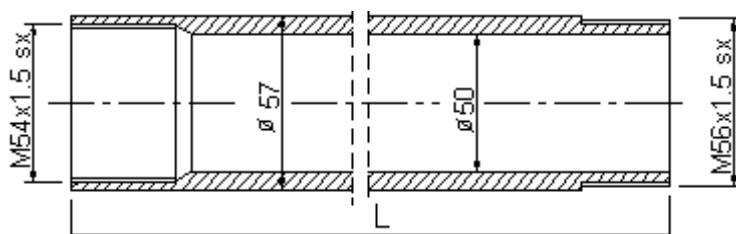
G4/009  
ghiera / nut



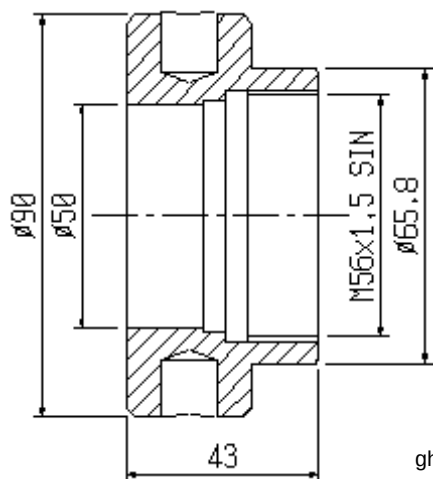
G4/016B  
ghiera / nut



G4/010  
tubo stringibarra/collet tube



G4/012  
tubo spingibarra / feed tube



G4/016  
ghiera / nut



G4/008  
boccola / bush

PER LAVORAZIONE BARRE ESAGONALI  
TO MACHINE EXAGONAL BARS

[www.turlo.it](http://www.turlo.it)

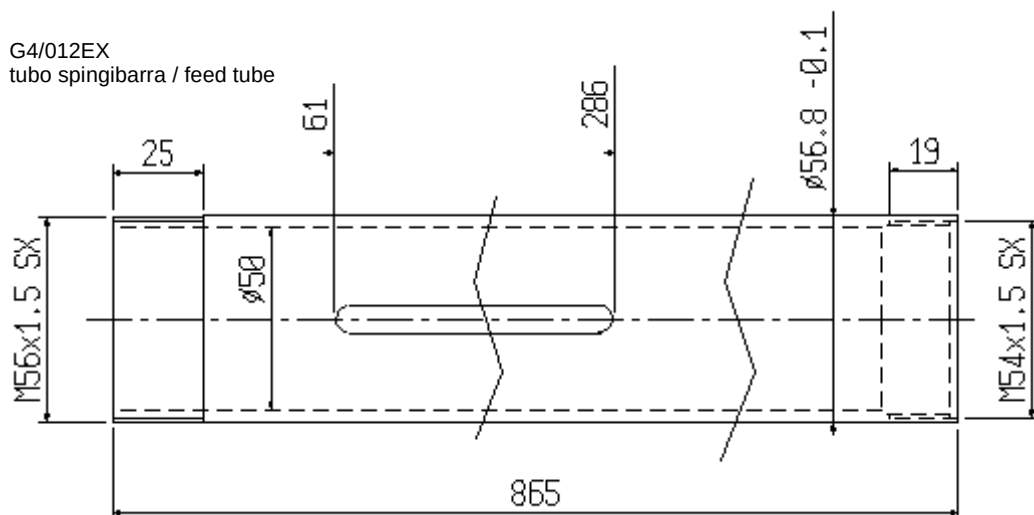
G4/009EX  
Ghiera portachiavette  
Key nut



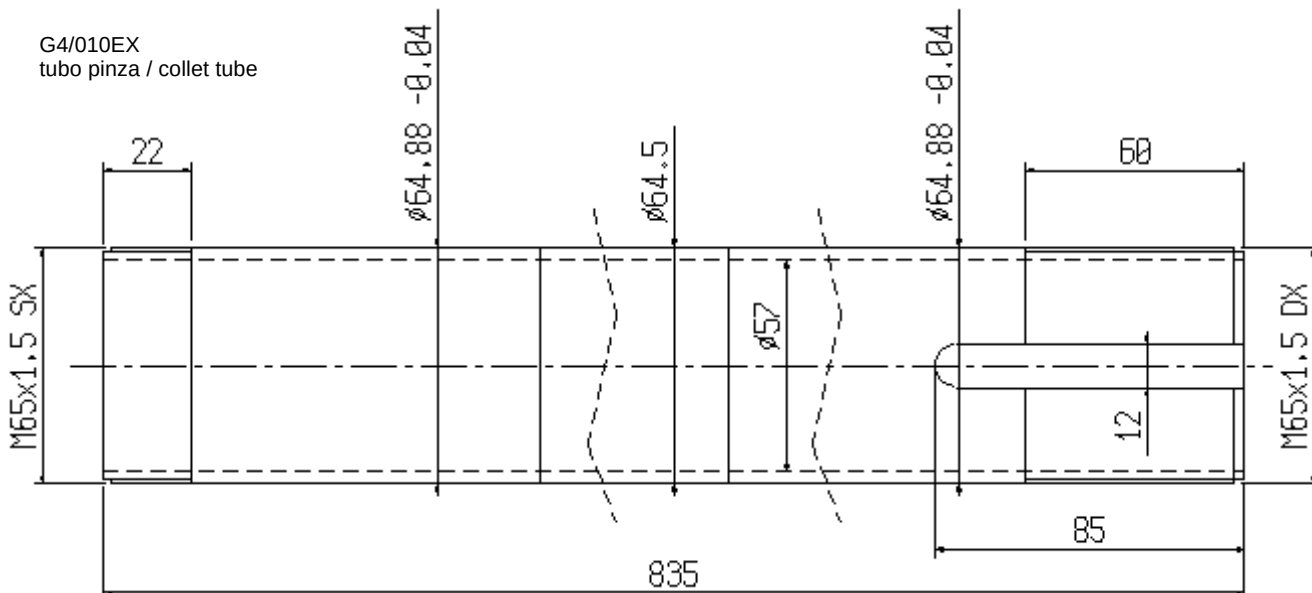
G4/014  
Chiavetta / Key

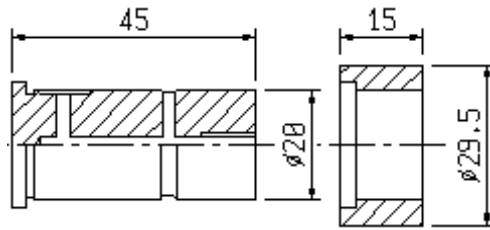


G4/012EX  
tubo spingibarra / feed tube



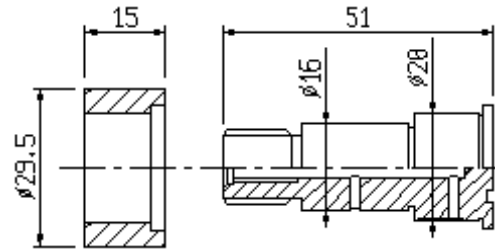
G4/010EX  
tubo pinza / collet tube





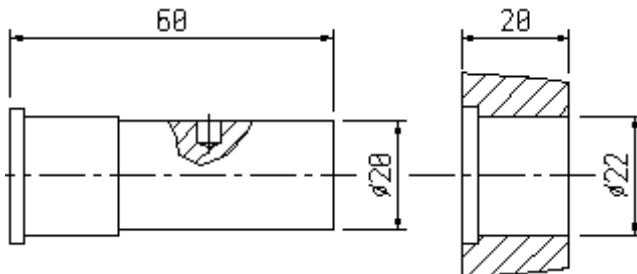
G4/031P  
perno / pin

G4/031R  
rullo / roller



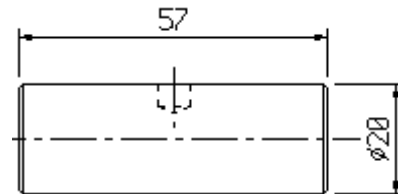
G3/032R  
rullo / roller

G3/032P  
perno / pin

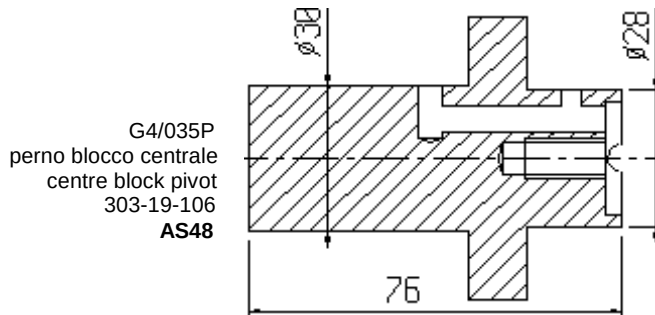


G4/033P  
perno / pin

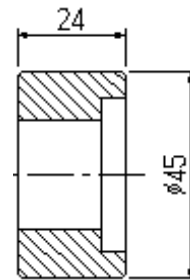
G4/033R  
rullo / roller



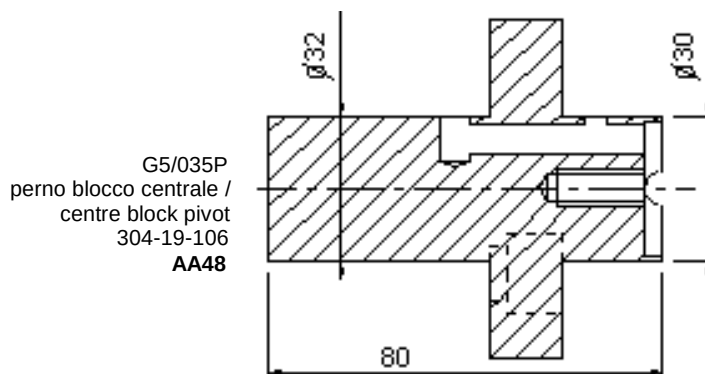
G4/032  
perno / pin



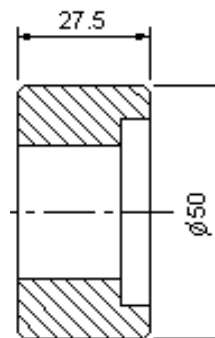
G4/035P  
perno blocco centrale  
centre block pivot  
303-19-106  
AS48



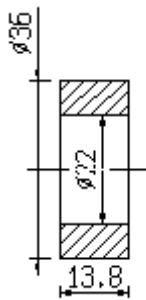
G4/035R  
rullo / roller  
303-19-107  
AS48



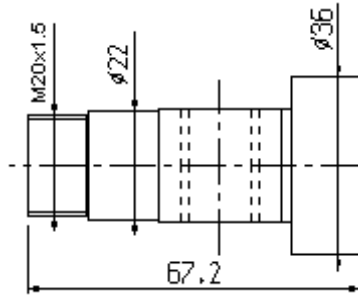
G5/035P  
perno blocco centrale /  
centre block pivot  
304-19-106  
AA48



G5/035R  
rullo / roller  
304-19-107  
AA48



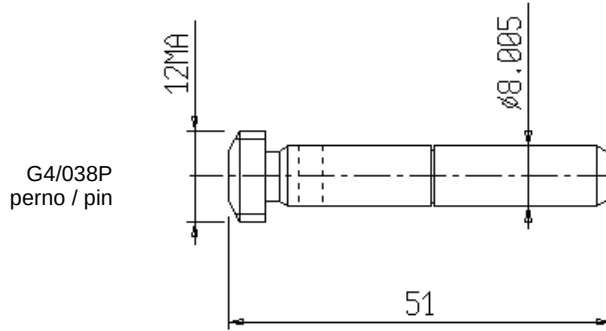
G5/039R  
rullo / roller



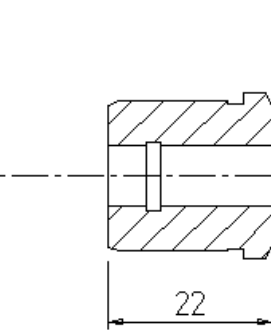
G5/039P  
perno / pin



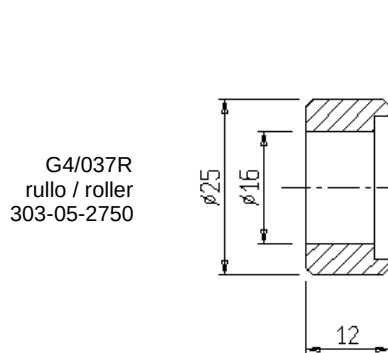
G5/039  
303-08-1380/001



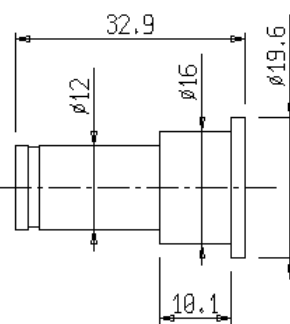
G4/038P  
perno / pin



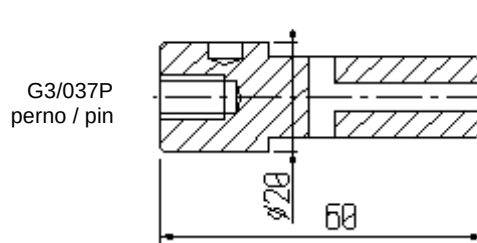
G4/038R  
boccola / bush



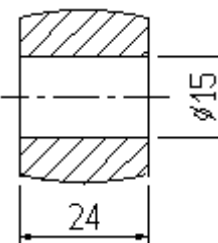
G4/037R  
rullo / roller  
303-05-2750



G4/037P  
perno / pin  
303-05-2740



G3/037P  
perno / pin

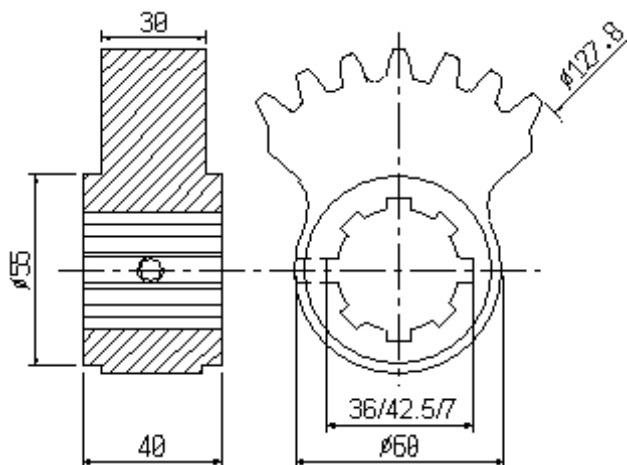


G3/037R  
rullo / roller

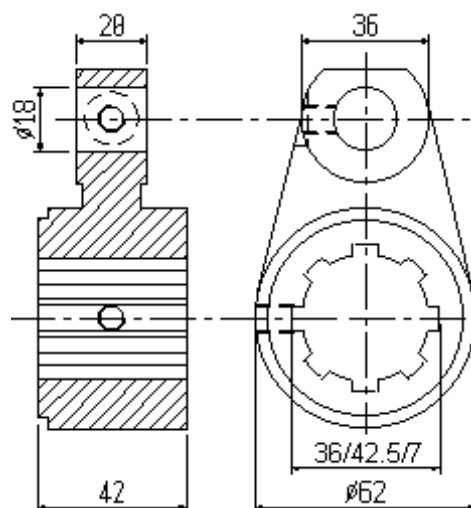


Coppie ruote rapporti velocità/tempi  
Pairs of feed and speed gears

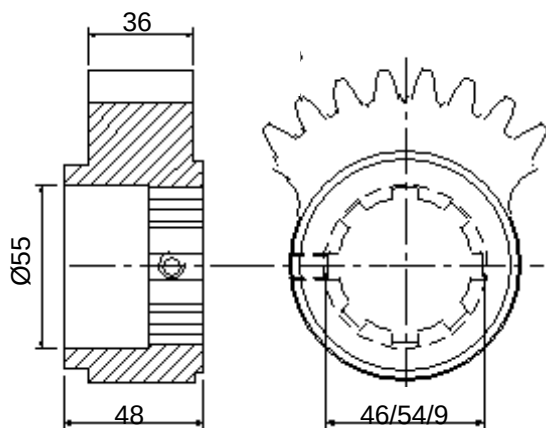




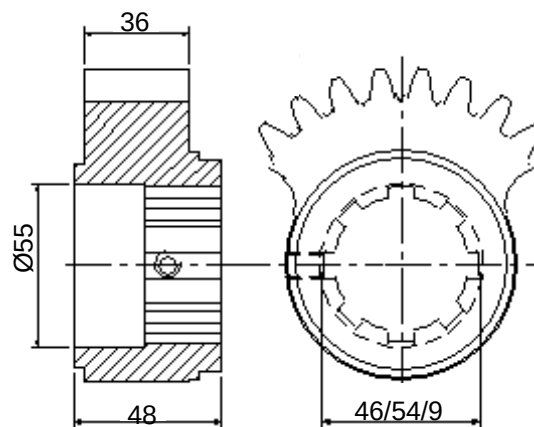
G4/020  
settole dentato / sector gear  
303-08-123



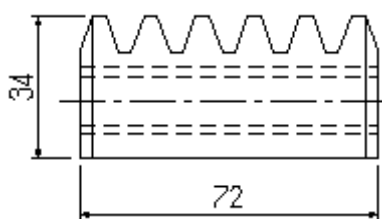
G4/025



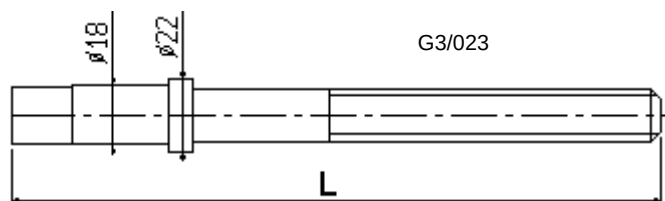
G5/021  
settole dentato / sector gear  
303-08-604



G5/020  
settole dentato / sector gear  
303-09-601



G3/022  
Cremagliera / gear  
303-25-129



G3/023