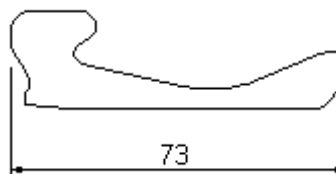
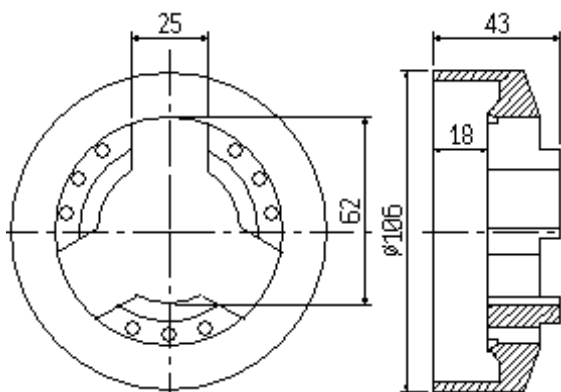


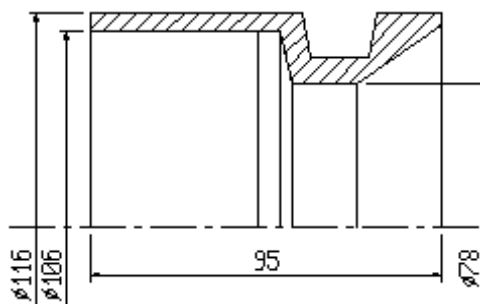
G3/004B
martelletto/toggle
342-10-2130/000



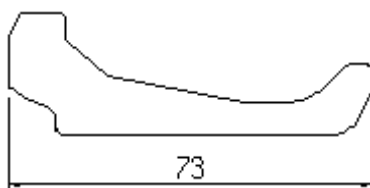
G3/004
martelletto/toggle
342-10-2130/001



G3/011A
mozzo/ring
342-10-214/1

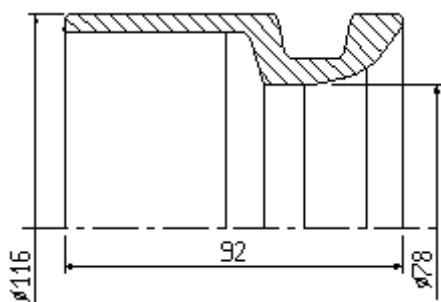


G3/001
campana/sleeve
342-10-2110/001

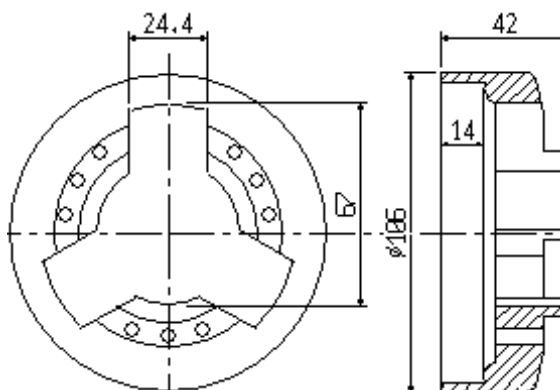


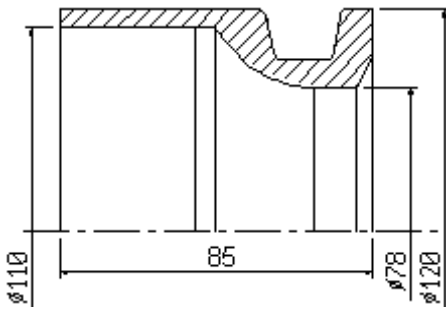
G3/005
martelletto/toggle
342-10-2130/002

G3/002
campana/sleeve
342-10-2110/002

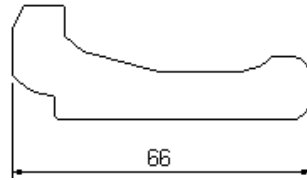


G3/011B
mozzo/ring
342-10-214/3

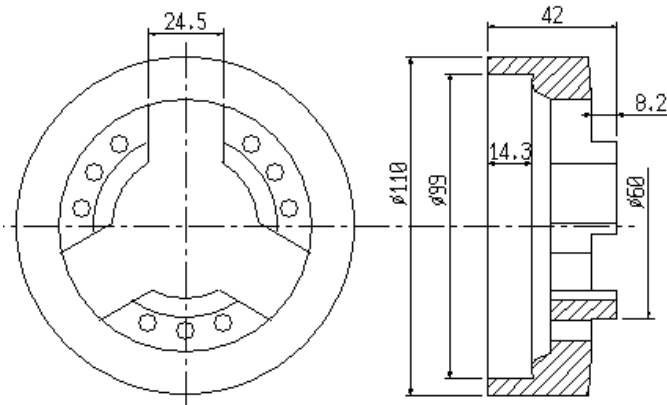




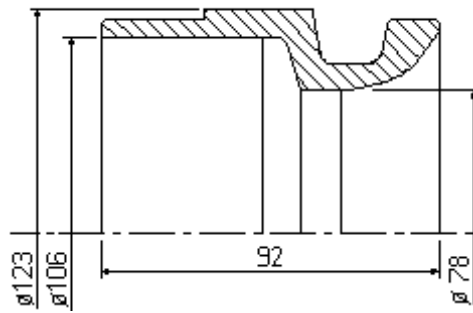
G3/003B
campana/sleeve
342-10-2110/003



G3/006
martelletto/toggle
342-10-2130/003

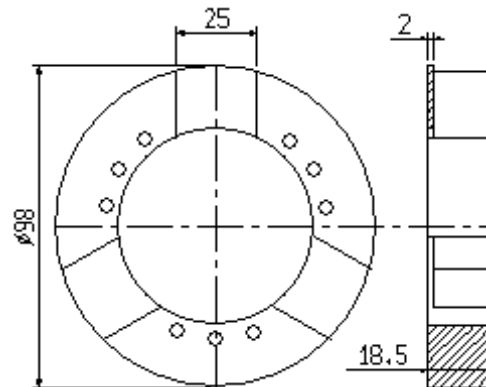
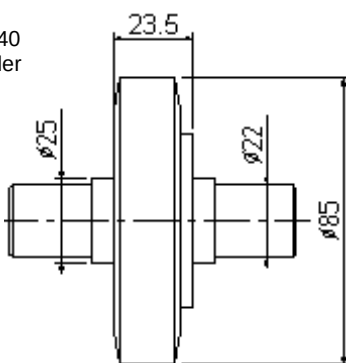


G3/011C
mozzo/ring



AA32
G6/001
campana/sleeve

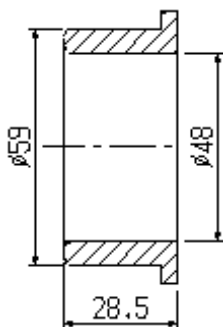
G3/040
rullo / roller



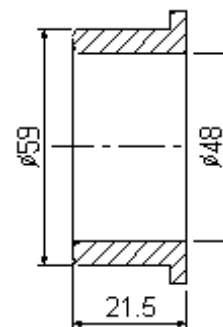
G3/018
anello / ring
342-10-215/1



G3/019B
manicotto/sleeve
342-10-210/2



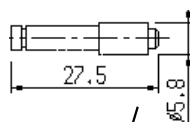
G3/007
Boccola/ring
342-10-212/2



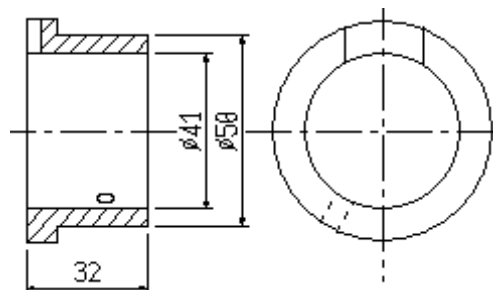
G3/007B
Boccola/ring
342-10-212/2



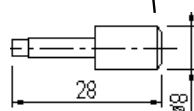
G2/013
ghiera/nut
342-10-220/2



G2/016
spina/pin
342-10-225



G3/008
Boccola bronzo / bronze bush
10-110



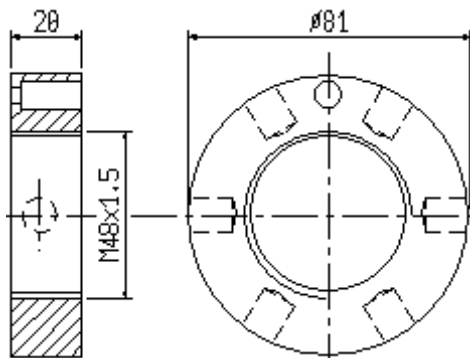
G2/017
spina/pin
342-10-228



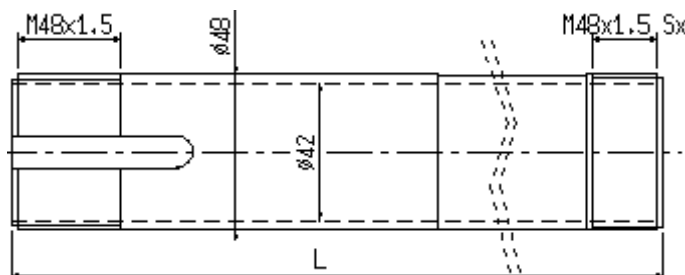
G2/014
ghiera/nut
342-10-222/2



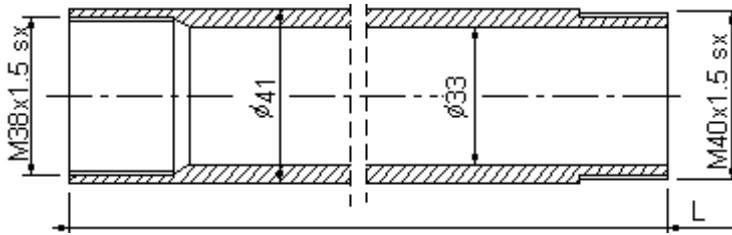
G3/090
Molla a tazza/spring
342-10-216



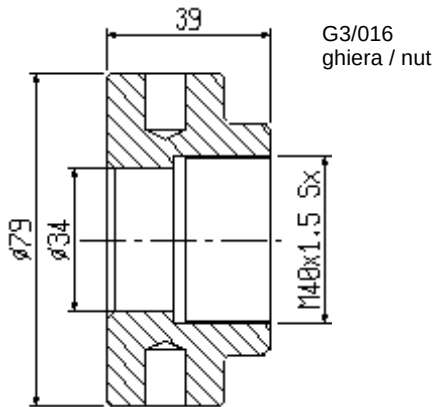
G2/009
ghiera/nut
342-10-221



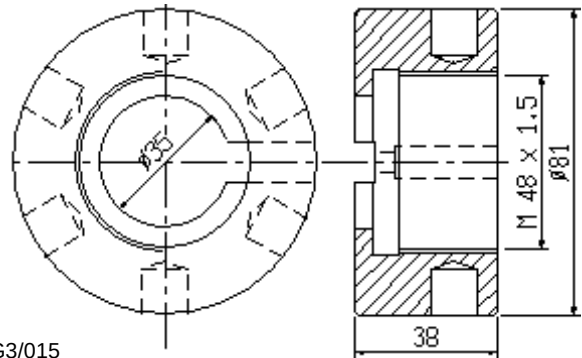
G3/010
Tubo stringibarra/collet tube



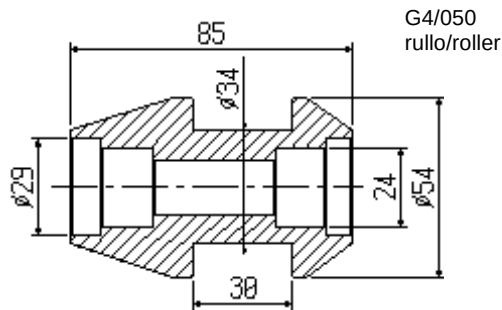
G3/012
tubo spingibarra / feed tube



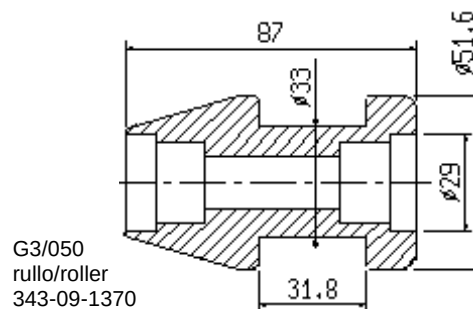
G3/016
ghiera / nut



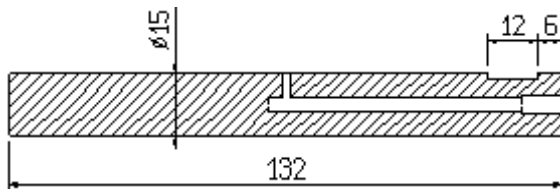
G3/015
ghiera / nut



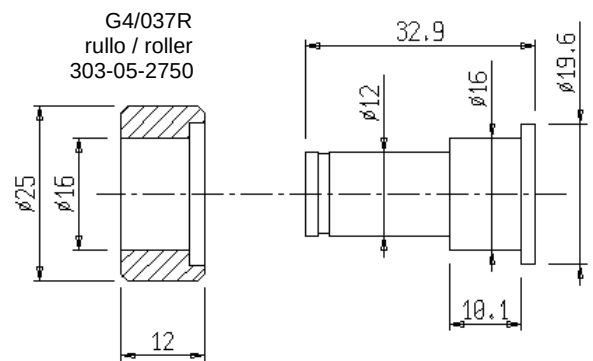
G4/050
rullo/roller



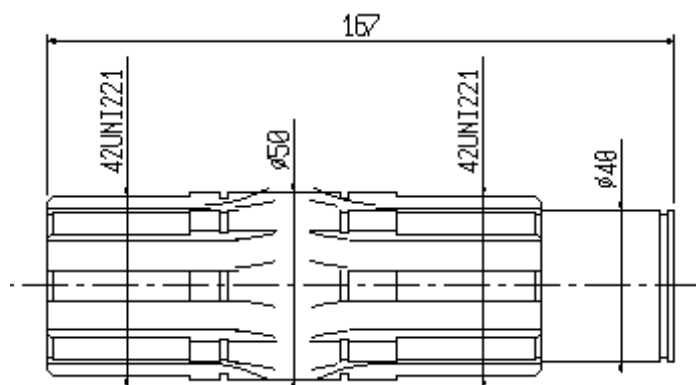
G3/050
rullo/roller
343-09-1370



G3/052
perno/pin

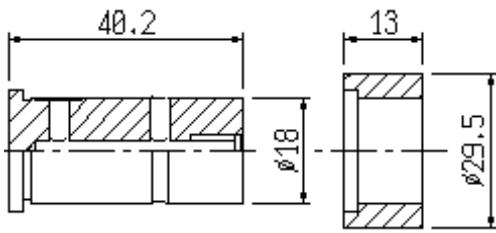


G4/037R
rullo / roller
303-05-2750



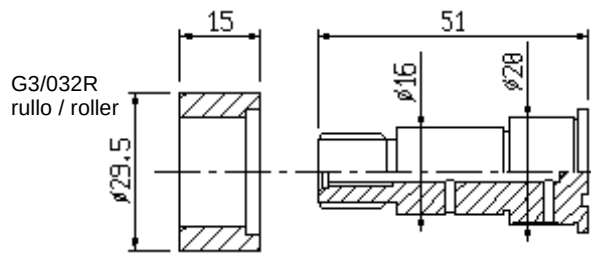
G3/053
Albero/Shaft
302-06-111/1

G4/037P
perno / pin
303-05-2740



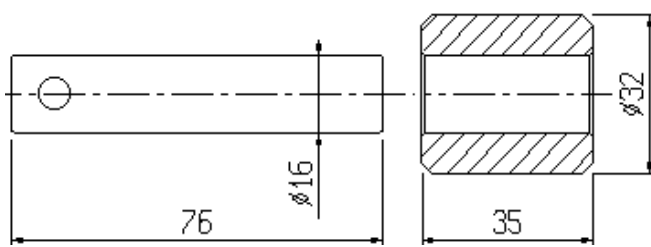
G3/031P
perno / pin

G3/031R
rullo / roller



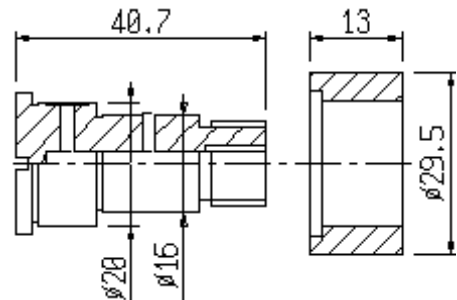
G3/032R
rullo / roller

G3/032P
perno / pin



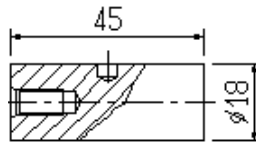
G3/038P
perno / pin

G3/038R
rullo / roller

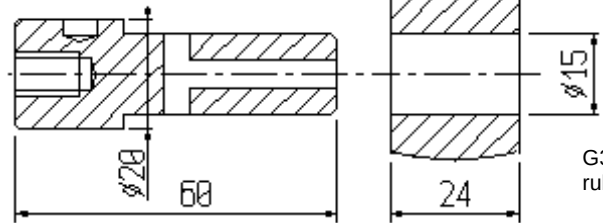


G3/030R
rullo / roller

G3/030P
perno / pin

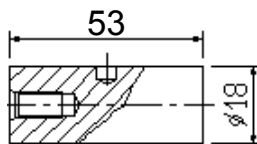


G2/030
perno / pin

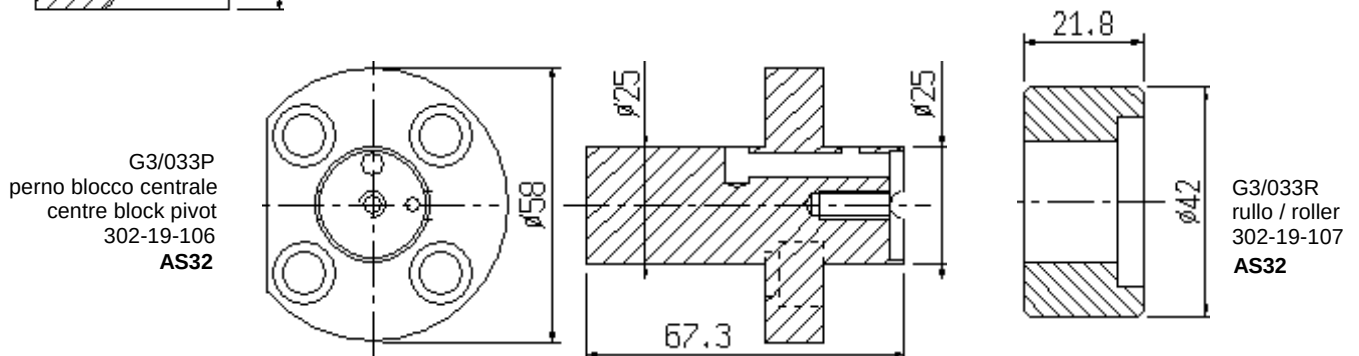


G3/037P
perno / pin

G3/037R
rullo / roller

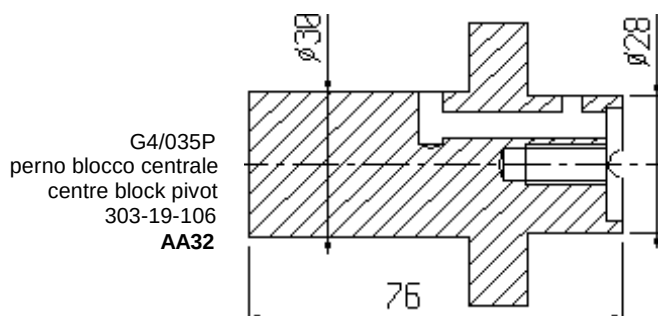


G2/031
perno / pin

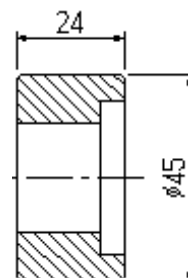


G3/033P
perno blocco centrale
centre block pivot
302-19-106
AS32

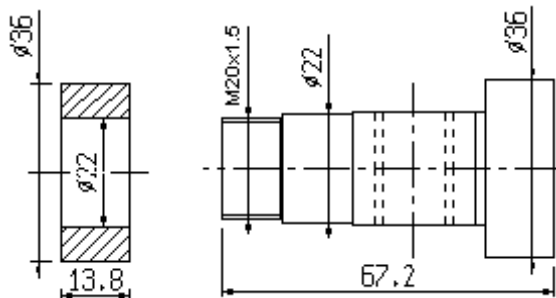
G3/033R
rullo / roller
302-19-107
AS32



G4/035P
perno blocco centrale
centre block pivot
303-19-106
AA32



G4/035R
rullo / roller
303-19-107
AA32

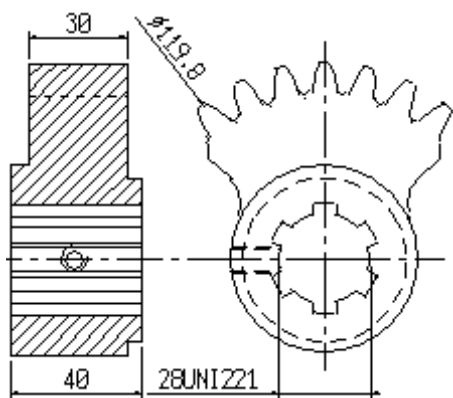


G5/039R
rullo / roller

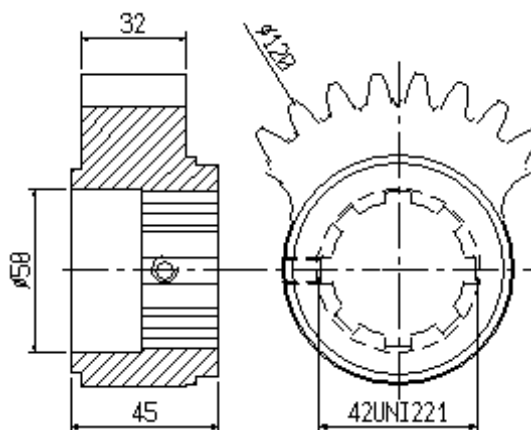
G5/039P
perno / pin



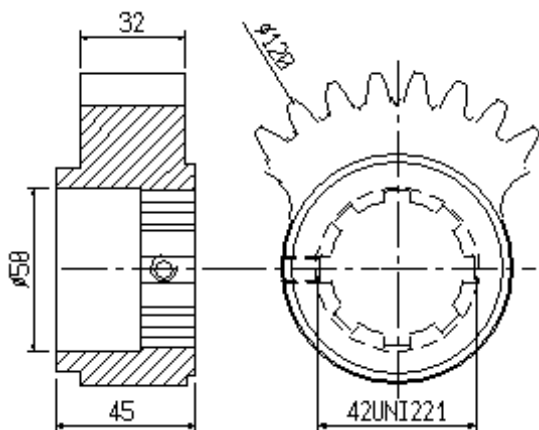
G5/039
303-08-1380/001



G3/020 pos. 3-4-5-6
settole dentate / sector gear
302-08-1230



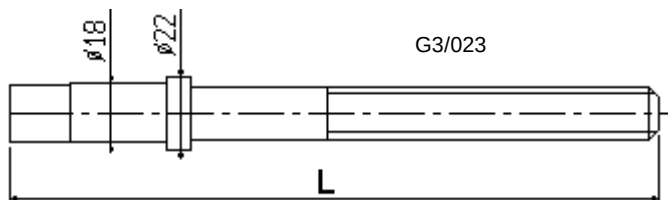
G3/021 pos. 1
settole dentate / sector gear
303-08-601



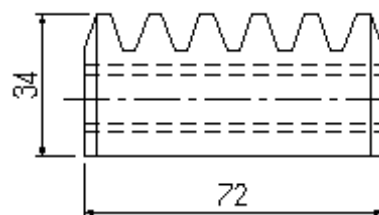
G3/024 pos. 2
settole dentate / sector gear
302-08-6040



Coppie ruote rapporti velocità/tempi
Pairs of feed and speed gears



G3/023



G3/022
Cremagliera / gear
303-25-129