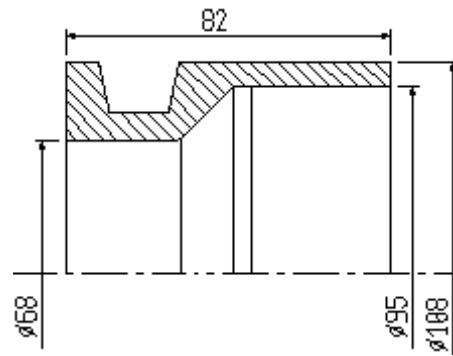
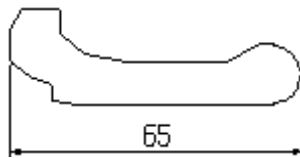


G2/001
campana/sleeve



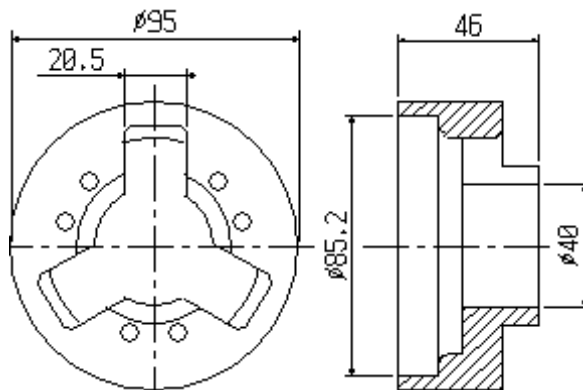
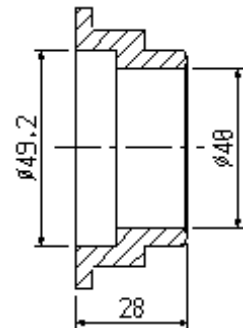
G2/002
campana/sleeve



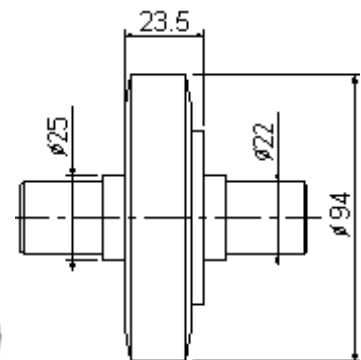
G2/003
martelletto/toggle
341-10-213



G2/007
anello / ring
342-10-212



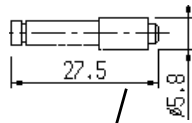
G2/011
mozzo/ring
341-10-214



G2/040
rullo / roller



G2/013
ghiera/nut
342-10-220/2



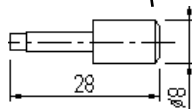
G2/016
spina/pin
342-10-225



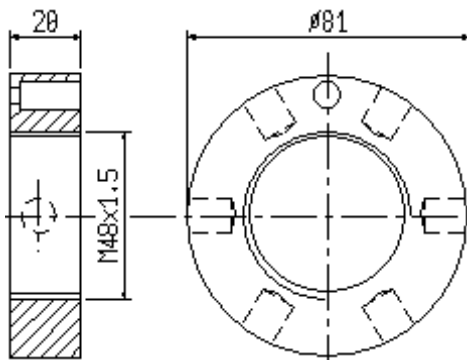
G2/014
ghiera/nut
342-10-222/2



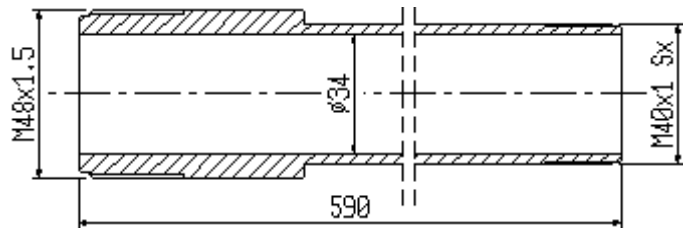
G3/090
Molla a tazza/spring
342-10-216



G2/017
spina/pin
342-10-228



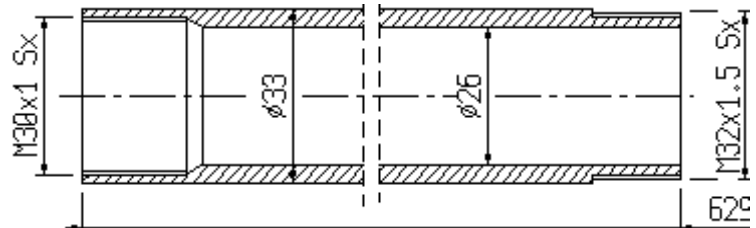
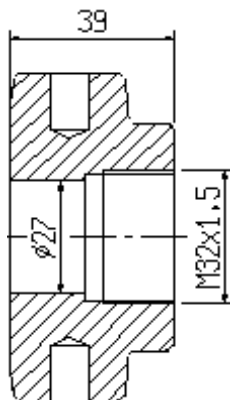
G2/009
ghiera / nut
342-10-221



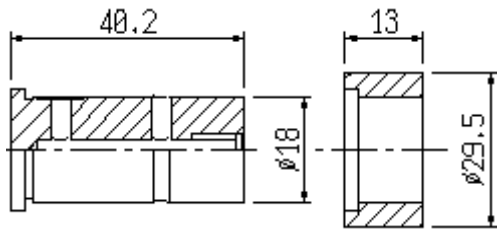
G2/010
tubo stringibarra / collet tube
351-10-217



G2/015
ghiera / nut

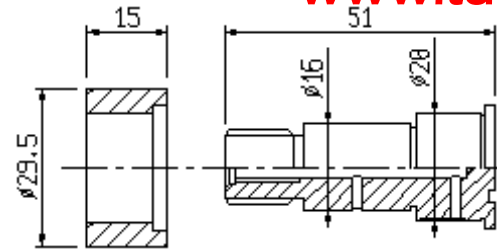


G2/012
tubo spingibarra / feed tube



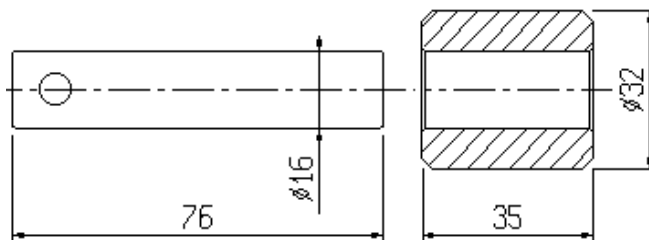
G3/031P
perno / pin

G3/031R
rullo / roller



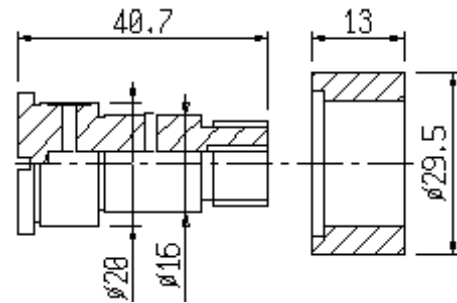
G3/032R
rullo / roller

G3/032P
perno / pin



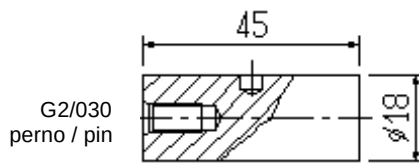
G3/038P
perno / pin

G3/038R
rullo / roller

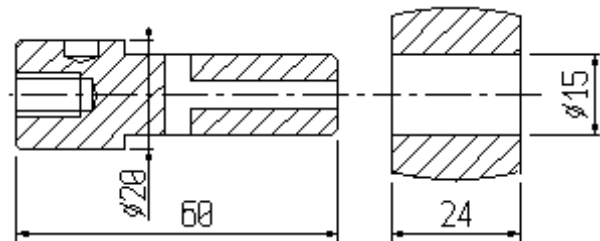


G3/030R
rullo / roller

G3/030P
perno / pin

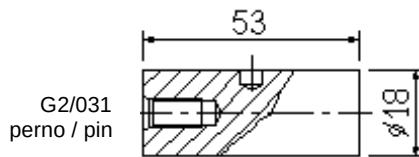


G2/030
perno / pin

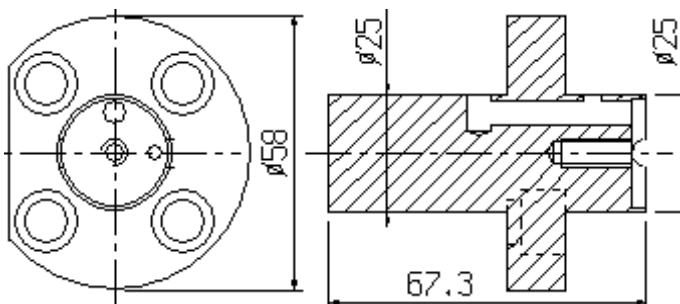


G3/037P
perno / pin

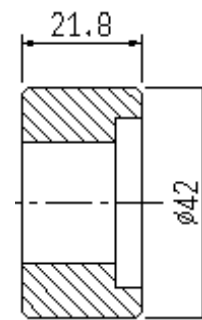
G3/037R
rullo / roller



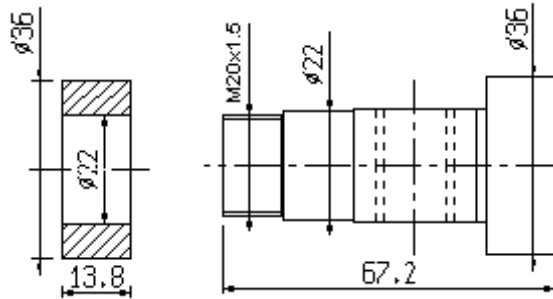
G2/031
perno / pin



G3/033P
Perno blocco centrale / centre block pivot
302-19-106



G3/033R
rullo / roller
302-19-107

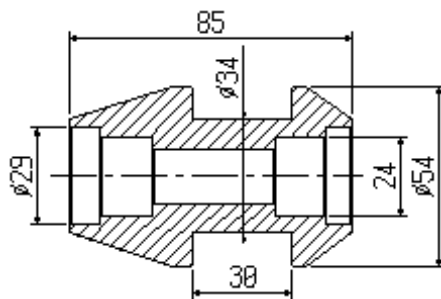


G5/039R
rullo / roller

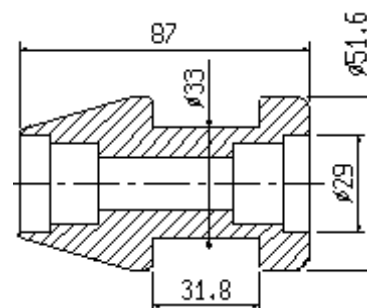
G5/039P
perno / pin



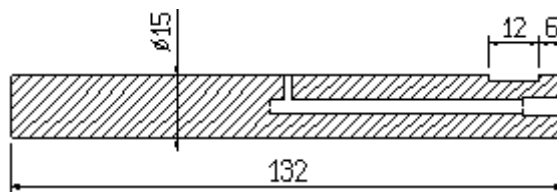
G5/039
303-08-1380/001



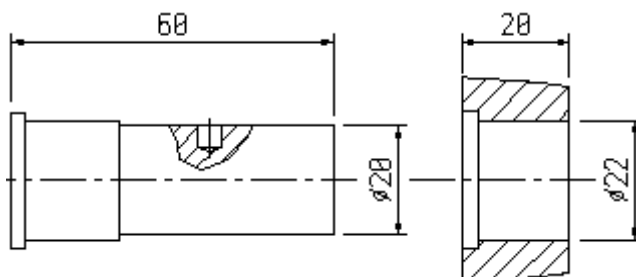
G4/050
rullo/roller



G3/050
rullo/roller
343-09-1370



G3/052
perno/pin



G4/033P
perno / pin

G4/033R
rullo / roller



Coppie ruote rapporti velocità/tempi
Pairs of feed and speed gears